

DELSTAR

HD BRUSHLESS | SERIES 161

1160-10201

28 Volts 150 Amps

PRODUCT SPECIFICATIONS

Part number	1160-10201
System Voltage	24V
Rated Output	150A
Output @ 2000 rpm	55A
Ground	Isolated
Mounting	J180 4" Hinge
Rotation	CW
Temperature limits:	
Low	-40°C / -40°F
High	110°C / 230°F
High	125°C / 257°F (with fresh air intake)
Speed limits:	
8000 RPM	continuous
9000 RPM	intermittent
Coating	Corrosion-Resistant E-Coated
Weight	28 Lbs / 12.7 Kg.
Regulator	Remote



1160-10201
with air intake cover

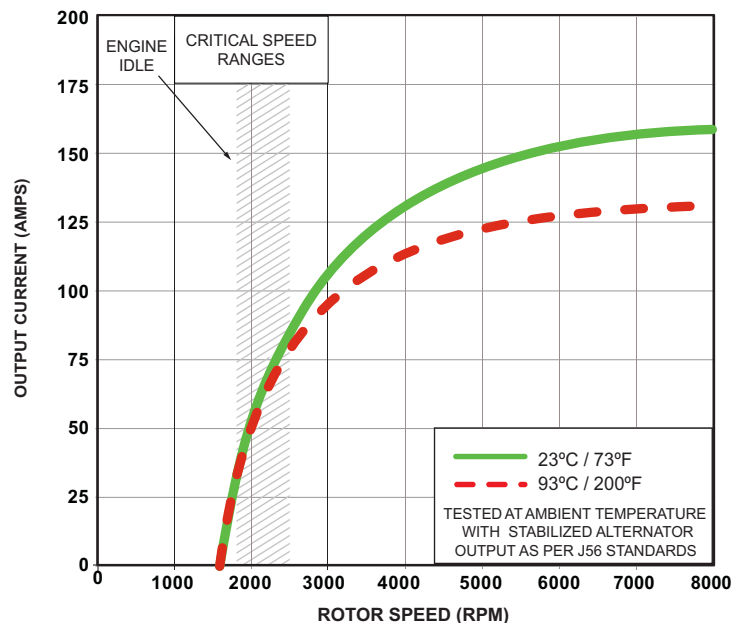
NOTE:

This DelStar 1160-10201 alternator, meets the marine requirements for Ignition Protection on gas or diesel engines of ISO 8846, USCG, stated in Title 33 CFR 183.410, SAE J1171 and International CE Standards.

RECOMMENDED FOR:

- School & Shuttle Buses
- Utility Vehicles
- Marine & Mining
- Agricultural
- Construction & Industrial

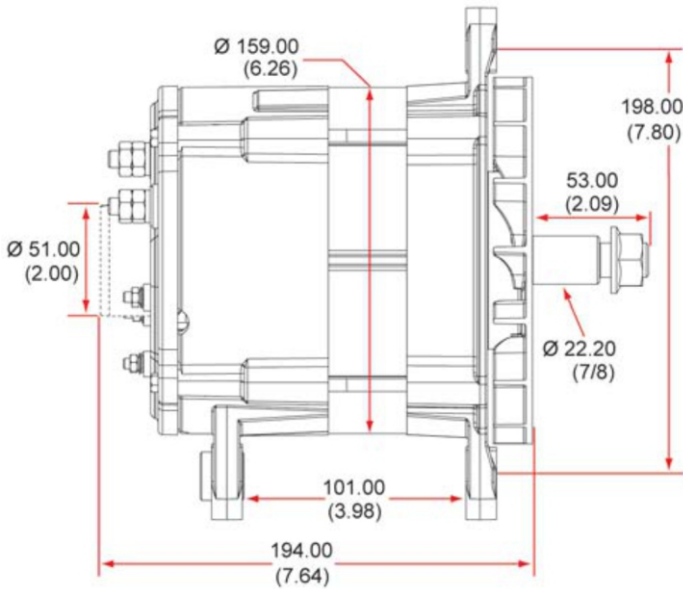
PERFORMANCE CURVES



DELSTAR

HD BRUSHLESS | SERIES 161

OUTLINE



Dimensions are listed in mm over (in)

Designed to be used with:



*Sold Separately
Please contact your Mastervolt dealer

1160-10201

28 Volts 150 Amps

CONNECTIONS

