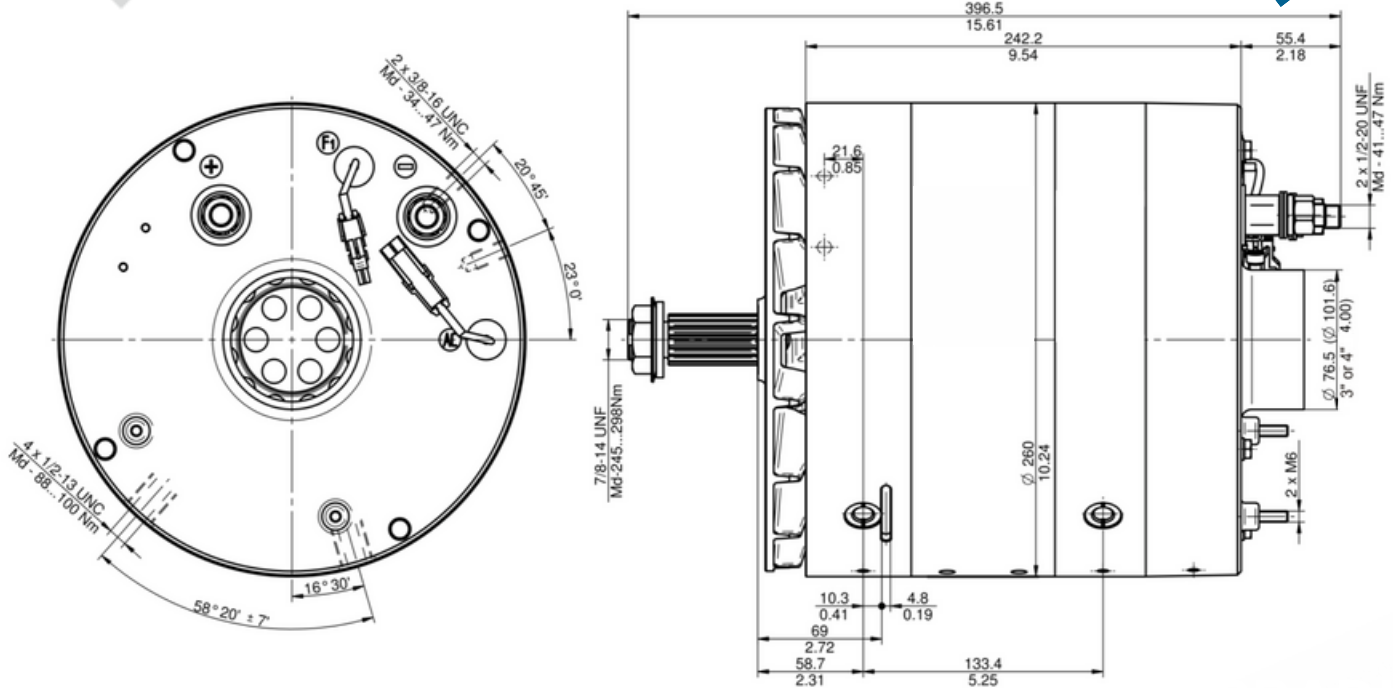


**28V / 550A**

**Cradle**

**Duct**



**Part Number: AA111-221716-212**

**Duct without noise suppression filter**

**Part Number: AA112-221716-222**

**Duct with noise suppression filter**

# HEAVY DUTY BRUSHLESS ALTERNATOR



- The compact 25AT design Heavy Duty brushless alternator, is an innovative power generating system, best suited for applications demanding high output at low rpm.
- Thanks to the progressive hairpin stator technology and the high precision assembly process, this alternator is capable of reaching efficiency levels of over 85%.
- The impressive output at engine idle makes this alternator a natural choice for a wide range of transit vehicles.

- High output at @2000 RPM
- Hairpin Stator
- High Efficiency over 85,0 %
- Low Inertia Advantage
- Low RPM Turn On

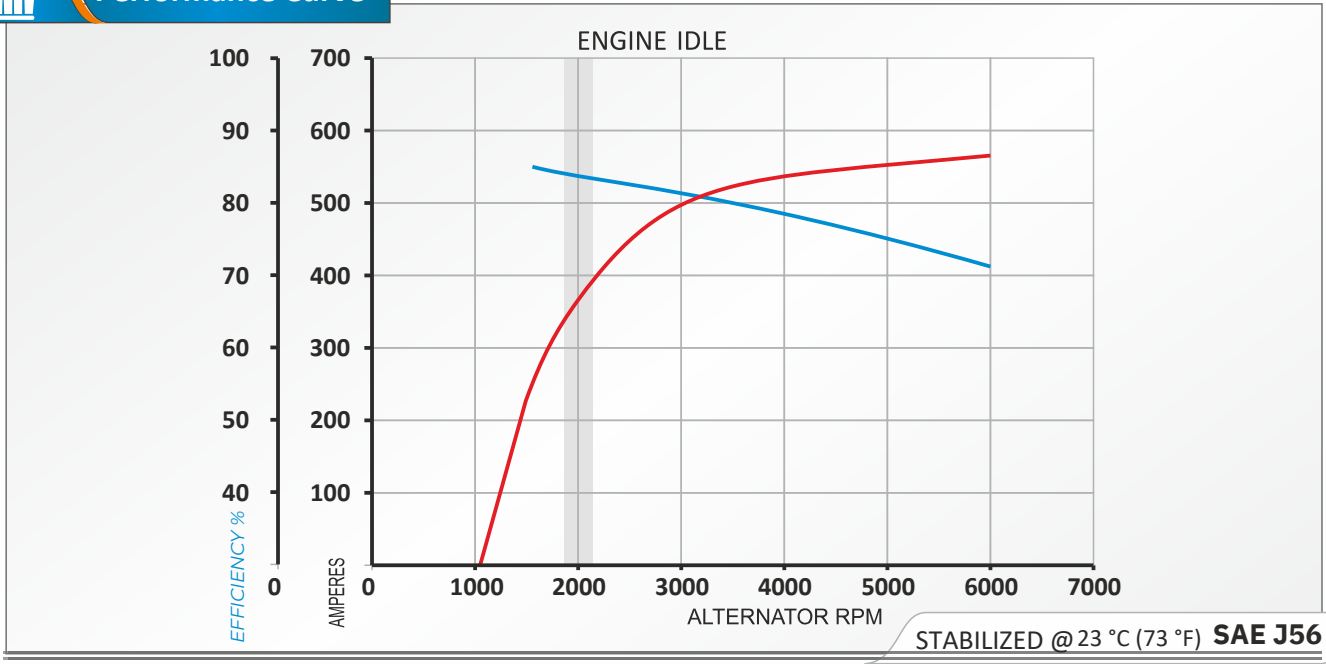
- Air Cooled Alternator
- Robust construction
- Easy Installation
- Long bearing life
- Industry Std Mounting & Electrical Interface
- Ground isolated



## Applications

**• Transit Bus • Construction • Fire & Rescue • Agriculture • Military • Mining  
• Marine & Rail (E.I.P. Compliant)**

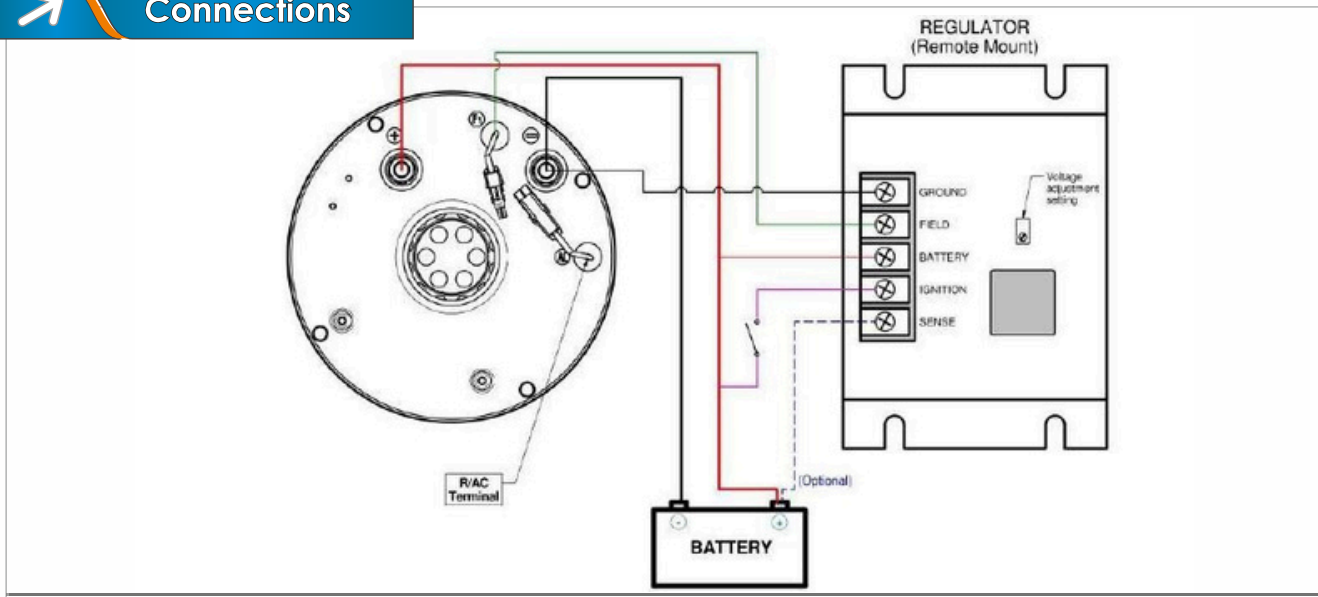
**Performance Curve**



**Specifications**

System Voltage	<b>24V</b>	Mounting	Cradle Style
Rated Output:	550A	Speed limits:	6500 RPM
Output @ 2000 rpm:	375A	Weight:	48 kg
Temperature limits:	-Low: -40°C / -High: 125°C	Regulator:	Remote
Turn on speed:(RPM)	1060	Rotation:	CW or CCW

**Connections**



221716-212



221716-222