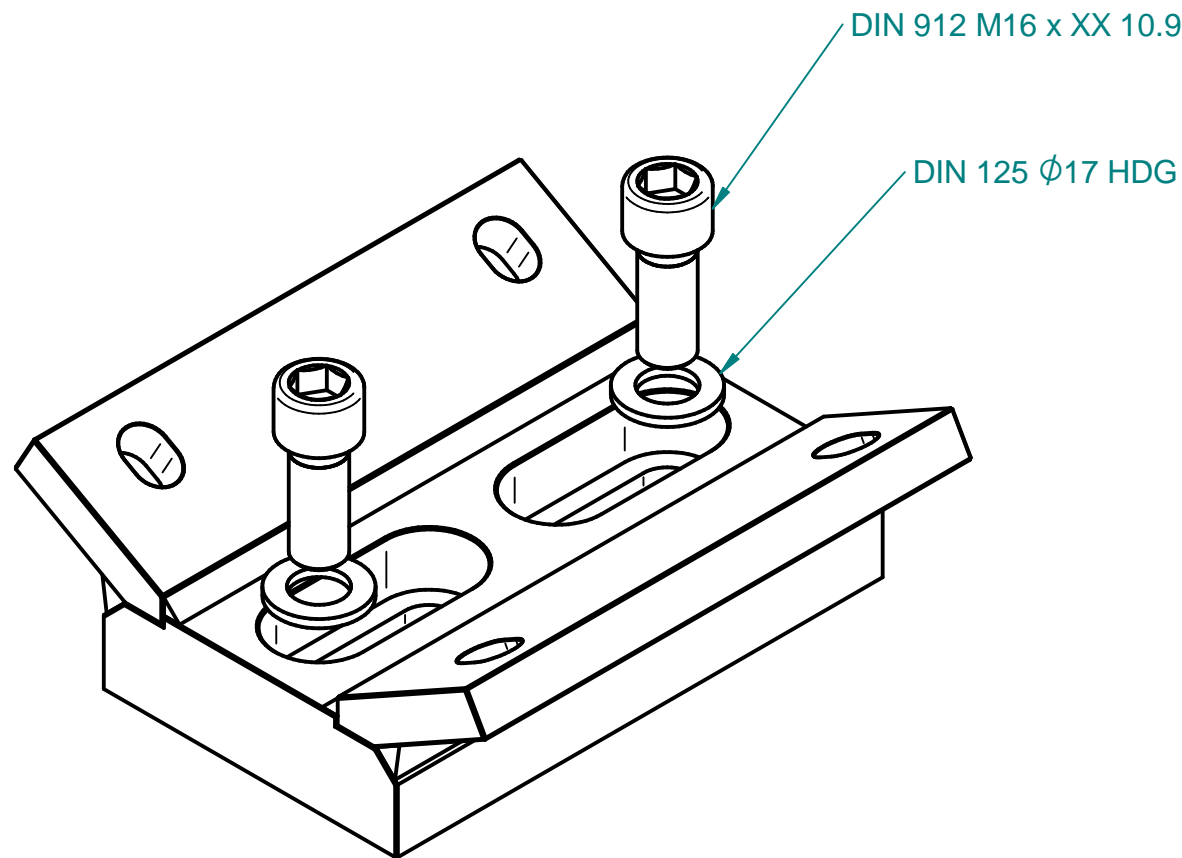
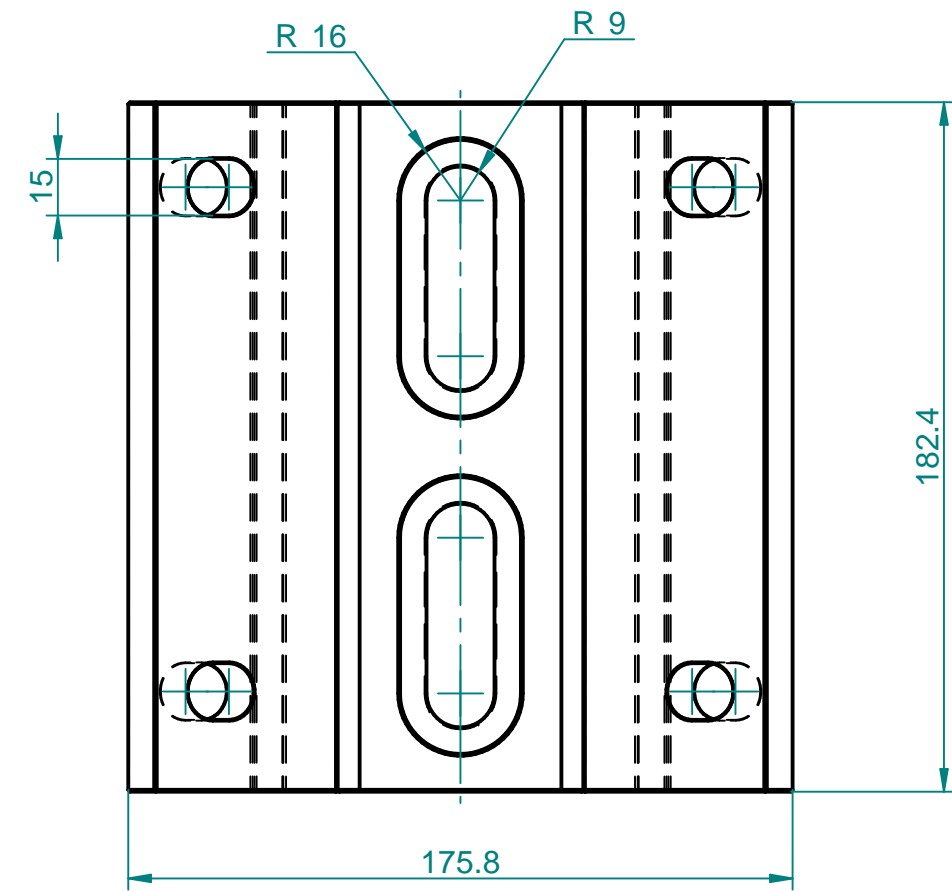
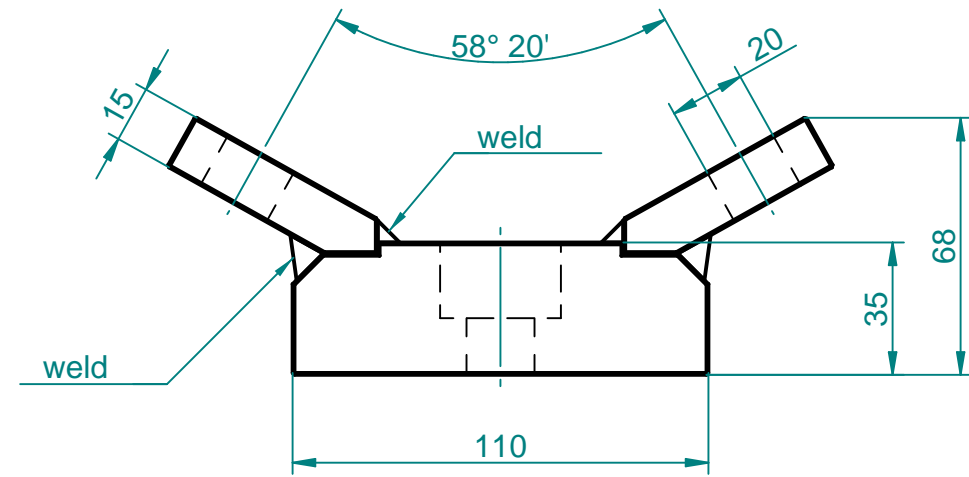
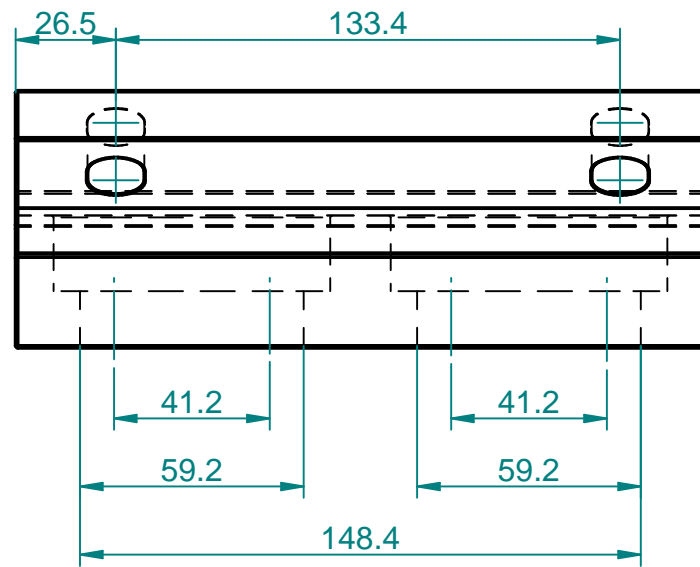


**PROPRIETARY AND CONFIDENTIAL**  
 THE INFORMATION CONTAINED IN THIS  
 DRAWING IS THE SOLE PROPERTY OF  
**BERMAN**  
 ANY REPRODUCTION IN PART OR  
 AS A WHOLE WITHOUT THE WRITTEN  
 PERMISSION OF UFT IS PROHIBITED

				Scale 1:2	Mass 6.381 kg		Material
				Sheet 1/1	Name AB-001		
				Mark	Name	Signature	Date
				DESIG.			01.10.24
				CHK'D			01.10.24
				MFG			01.10.24
				Q.A			01.10.24
				<b>BERMAN</b> BERMANTEC.COM		Draw No.	Rev.



**PROPRIETARY AND CONFIDENTIAL**  
 THE INFORMATION CONTAINED IN THIS DRAWING IS THE SOLE PROPERTY OF **BERMAN**. ANY REPRODUCTION IN PART OR AS A WHOLE WITHOUT THE WRITTEN PERMISSION OF UFT IS PROHIBITED.

				Scale	Mass		Material
				1:2	6.567 kg		
				Sheet	Name		
				1/1	AB-002		
				Mark	Name	Signature	Date
				DESIG.			01.10.24
				CHK'D			01.10.24
				MFG			01.10.24
				Q.A			01.10.24
				 <small>BERMANTEC.COM</small>		Draw No.	Rev.