

# DELSTAR

## HD BRUSHLESS | SERIES 161

### 100-16215,-D

28 Volts 150 Amps

### PRODUCT SPECIFICATIONS

Part number	100-16215
System Voltage	28V
Rated Output	150A
Output @ 2000 rpm	55A
Ground	Isolated
Mounting	PAD
Rotation	CW
Temperature limits:	
Low	-40°C / -40°F
High	110°C / 230°F
High	125°C / 257°F (with fresh air intake)
Speed limits:	
	8000 RPM continuous
	9000 RPM intermittent
Coating	Corrosion-Resistant E-Coated
Weight	28 Lbs / 12.7 Kg.
Regulator	Integral
Excitation	Self-excite (@ 1500 rpm or less)
Indicator Light	Yes
Remote Sense Regulation	Yes
Soft Start Function	Yes
6 Sec. Load Response Control (LRC)	Yes
Field Short Circuit Protection	Yes
Load Dump Protection	Yes
Over Voltage Protection	Yes

### RECOMMENDED FOR:

- Utility Vehicles
- Marine, Mining
- Industrial
- Construction



100-16215

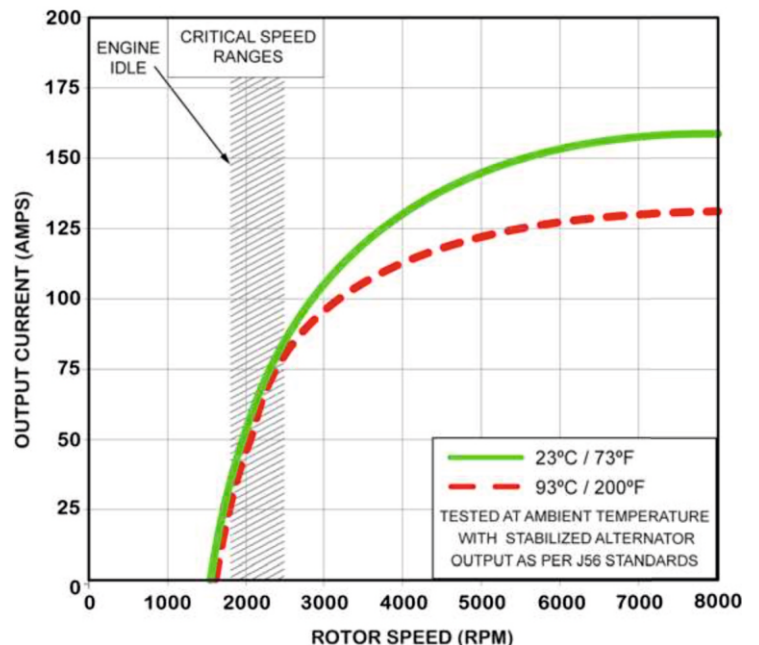


100-16215-D  
with air intake cover

### NOTE:

*This DelStar 100-16215 alternator, meets the marine requirements for Ignition Protection on gas or diesel engines of ISO 8846, USCG, stated in Title 33 CFR 183.410, SAE J1171 and International CE Standards.*

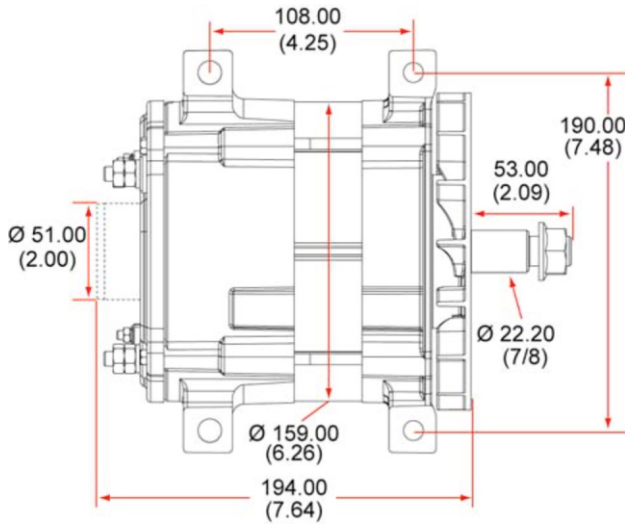
### PERFORMANCE CURVES



# DELSTAR

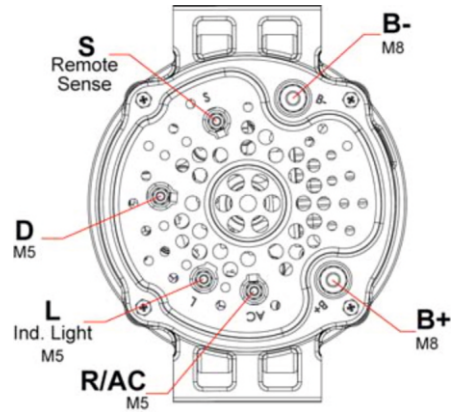
## HD BRUSHLESS | SERIES 161

### OUTLINE



Dimensions are listed in mm over (in)

### CONNECTIONS



If the vehicle has an ignition (excite) circuit, connect wire to "D"(dummy) terminal.

## 100-16215

28 Volts 150 Amps

### ELECTRICAL SCHEMATIC

