

DELSTAR

HD BRUSHLESS | SERIES 171

100-17103,-D

14 Volts 285 Amps

PRODUCT SPECIFICATIONS

Part number	100-17103	
System Voltage	12V	
Rated Output	285A	
Output @ 2000 rpm	160A	
Ground	Isolated	
Mounting	J180 4" Hinge	
Rotation	Bidirectional	
Temperature limits:		
Low	-40°C / -40°F	
High	110°C / 230°F	
High	125°C / 257°F (with fresh air intake)	
Speed limits:		
	8000 RPM continuous	
	9000 RPM intermittent	
Coating	Corrosion-Resistant E-Coated	
Weight	38 Lbs / 17.4 Kg.	
Regulator	Integral	
Excitation	Self-Excite	
Indicator Light	Yes	
Remote Sense	Yes	
Soft Start Delay (SSD)	Yes	
Load Response Control (LRC)	Yes	
Overvoltage Shut-Down (OSD)	Yes	
Field Short Circuit Protection	Yes	
Load Dump Protection	Yes	

RECOMMENDED FOR:

- School & Shuttle Buses
- Utility Vehicles
- Marine & Mining
- Agricultural
- Construction & Industrial



100-17103



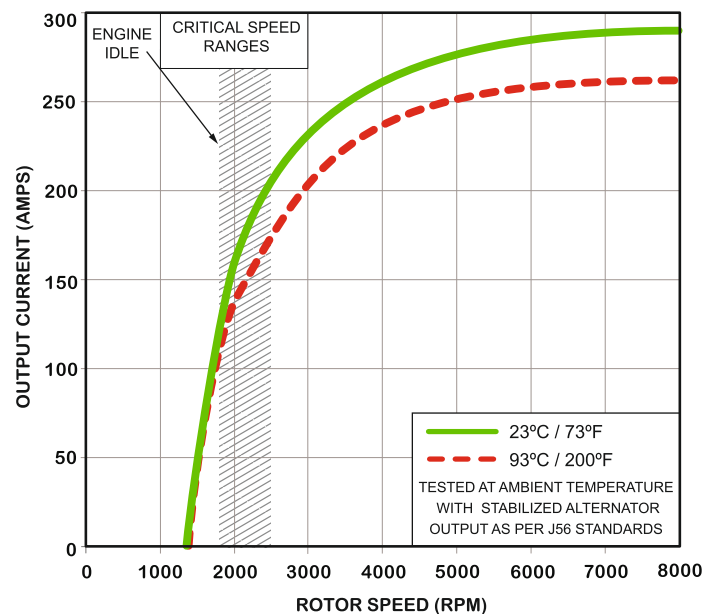
100-17103-D

with air intake cover

NOTE:

This DelStar 100-17103 alternator, meets the marine requirements for Ignition Protection on gas or diesel engines of ISO 8846, USCG, stated in Title 33 CFR 183.410, SAE J1171 and International CE Standards.

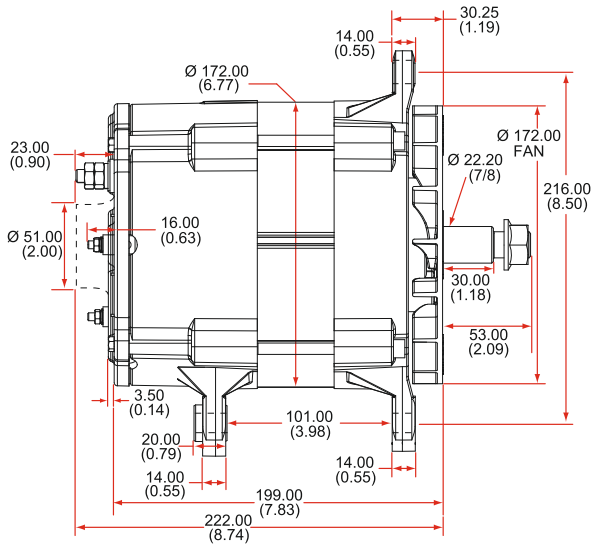
PERFORMANCE CURVES



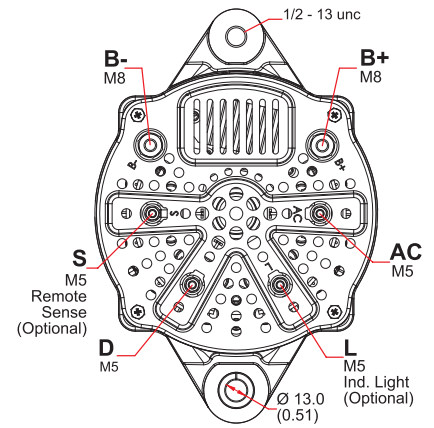
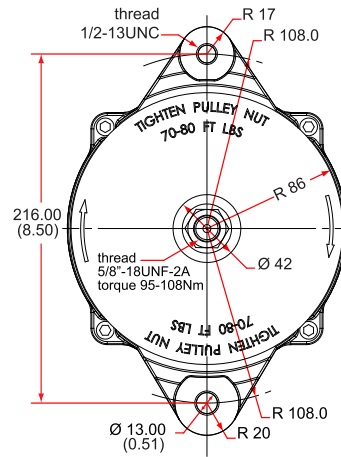
DELSTAR

HD BRUSHLESS | SERIES 171

OUTLINE



CONNECTIONS



100-17103,-D

14 Volts 285 Amps

ELECTRICAL SCHEMATIC

