

# DELSTAR

## HD BRUSHLESS | SERIES 171

### 100-17104,-D

#### 14 Volts 350 Amps

### PRODUCT SPECIFICATIONS

<b>Part number</b>	100-17104
<b>System Voltage</b>	12V
<b>Rated Output</b>	350A
<b>Output @ 2000 rpm</b>	210A
<b>Ground</b>	Negative
<b>Mounting</b>	J180 4" Hinge
<b>Rotation</b>	Bidirectional
<b>Temperature limits:</b>	
<b>Low</b>	-40°C / -40°F
<b>High</b>	110°C / 230°F
<b>High</b>	125°C / 257°F (with fresh air intake)
<b>Speed limits:</b>	
	8000 RPM continuous
	9000 RPM intermittent
<b>Coating</b>	Corrosion-Resistant E-Coated
<b>Weight</b>	38 Lbs / 17.4 Kg.
<b>Regulator</b>	Integral
<b>Excitation</b>	Self-Excite
<b>Indicator Light</b>	Yes
<b>Remote Sense</b>	Yes
<b>Soft Start Delay (SSD)</b>	Yes
<b>Load Response Control (LRC)</b>	Yes
<b>Overvoltage Shut-Down (OSD)</b>	Yes
<b>Field Short Circuit Protection</b>	Yes
<b>Load Dump Protection</b>	Yes

#### RECOMMENDED FOR:

- School & Shuttle Buses
- Utility Vehicles
- Marine & Mining
- Agricultural
- Construction & Industrial



**100-17104**

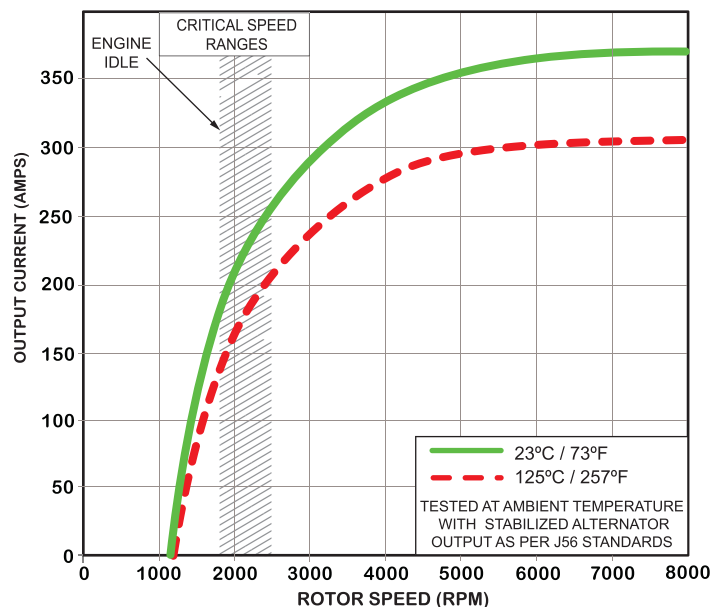


**100-17104-D**  
with air intake cover

#### NOTE:

*This DelStar 100-17104 alternator, meets the marine requirements for Ignition Protection on gas or diesel engines of ISO 8846, USCG, stated in Title 33 CFR 183.410, SAE J1171 and International CE Standards.*

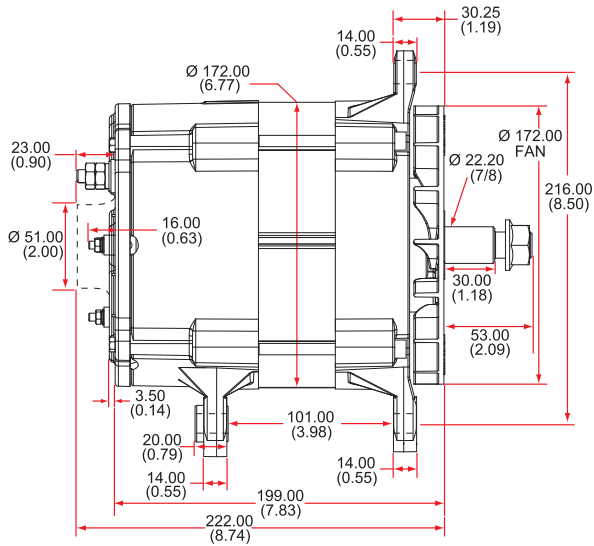
#### PERFORMANCE CURVES



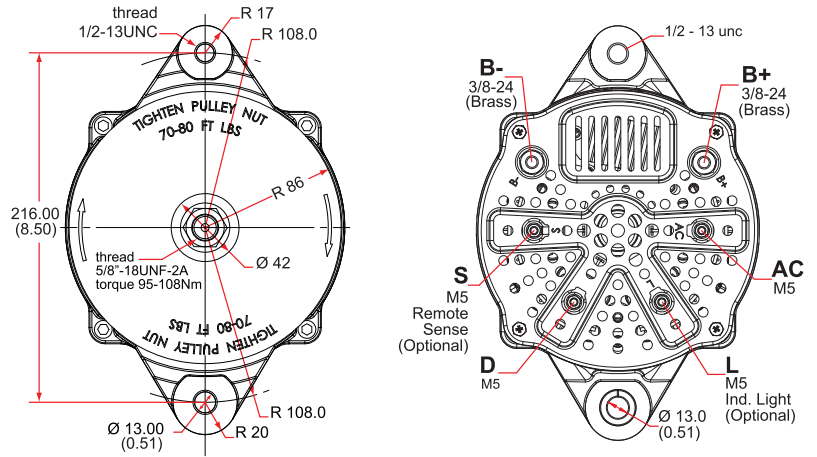
# DELSTAR

## HD BRUSHLESS | SERIES 171

### OUTLINE



### CONNECTIONS



## 100-17104,-D

14 Volts 350 Amps

### ELECTRICAL SCHEMATIC

