

DELSTAR

HD BRUSHLESS | SERIES 171

100-17108,-D

14 Volts 345 Amps

PRODUCT SPECIFICATIONS

Part number	100-17108
System Voltage	12V
Rated Output	345A
Output @ 2000 rpm	157A
Ground	Negative
Mounting	J180 4" Hinge
Rotation	Bidirectional
Temperature limits:	
Low	-40°C / -40°F
High	125°C / 257°F
RPM limits:	8000 RPM continuous 9000 RPM intermittent
Housing Coating	Corrosion-Resistant E-Coated
Weight	38 Lbs / 17.4 Kg.
Regulator	Integral
Excitation	Self-excited
Indicator Light	Yes
Remote Sense	Yes
Soft Start Delay (SSD)	Yes
Load Response Control (LRC)	Yes
Field Short Circuit Protection	Yes
Load Dump Protection	Yes
Overvoltage Shut-Down (OSD)	Yes

RECOMMENDED FOR:

- School & Shuttle Buses
- Utility Vehicles
- Marine & Mining
- Agricultural
- Construction & Industrial



100-17108

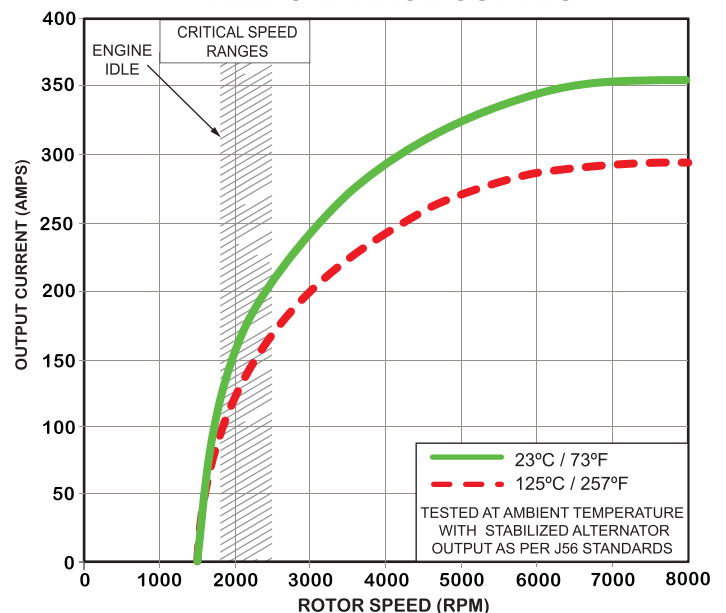


100-17108-D
with air intake cover

NOTE:

This DelStar 100-17108 alternator, meets the marine requirements for Ignition Protection on gas or diesel engines of ISO 8846, USCG, stated in Title 33 CFR 183.410, SAE J1171 and International CE Standards.

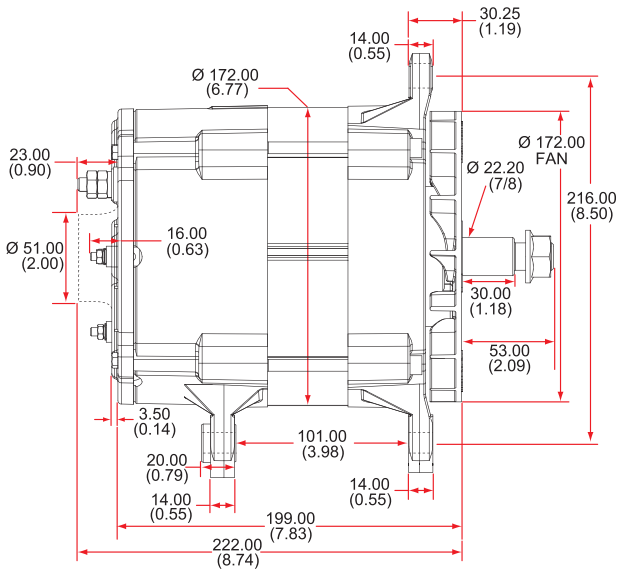
PERFORMANCE CURVES



DELSTAR

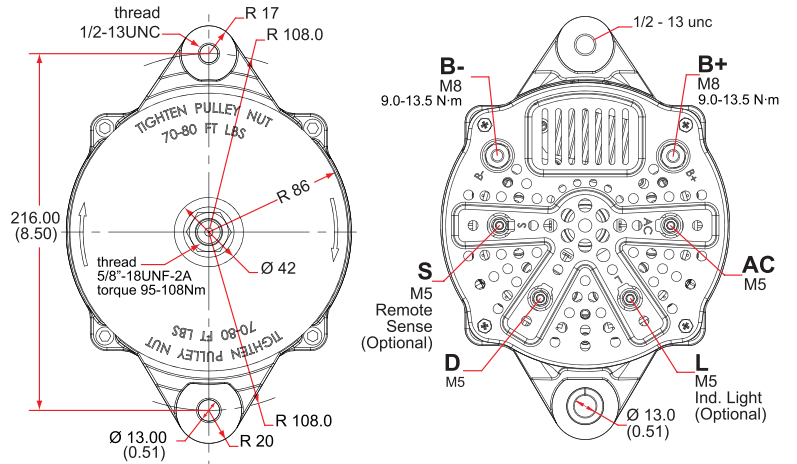
HD BRUSHLESS | SERIES 171

OUTLINE



Dimensions are listed in mm over (in)

CONNECTIONS



100-17108

14 Volts 345 Amps

ELECTRICAL SCHEMATIC

