

DELSTAR

HD BRUSHLESS | SERIES 180

100-18214,-D

28 Volts 250 Amps

PRODUCT SPECIFICATIONS

| | |
|---------------------|---------------------------------------|
| Part number | 100-18214 |
| System Voltage | 24V |
| Rated Output | 250A |
| Output @ 2000 rpm | 160A |
| Ground | Isolated |
| Mounting | Pad |
| Rotation | Bidirectional |
| Temperature limits: | |
| Low | - 40°C / -40°F |
| High | 110°C / 230°F |
| High | 125°C / 257°F (with fresh air intake) |
| Speed limits: | |
| | 8000 RPM continuous |
| | 9000 RPM intermittent |
| Coating | Corrosion-Resistant E-Coated |
| Weight | 46 Lbs / 21 Kg. |
| Regulator | Remote |



100-18214



100-18214-D

with air intake cover & Optional 90° elbow

NOTE:

This DelStar 100-18214 alternator, meets the marine requirements for Ignition Protection on gas or diesel engines of ISO 8846, USCG, stated in Title 33 CFR 183.410, SAE J1171 and International CE Standards.

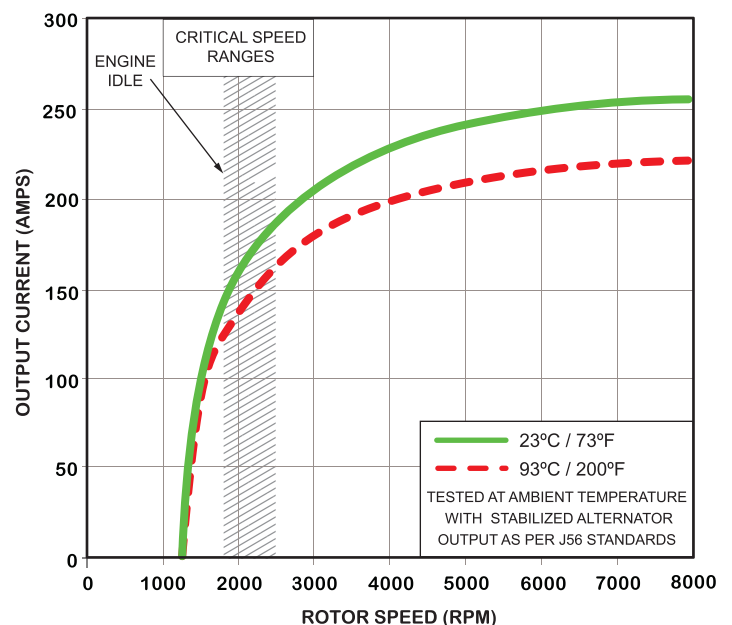
ACCESSORIES:

90° Elbow Pkg. (360° Rotatable) # 46900-1800

RECOMMENDED FOR:

- Utility Vehicles
- Marine, Mining
- Industrial
- Construction

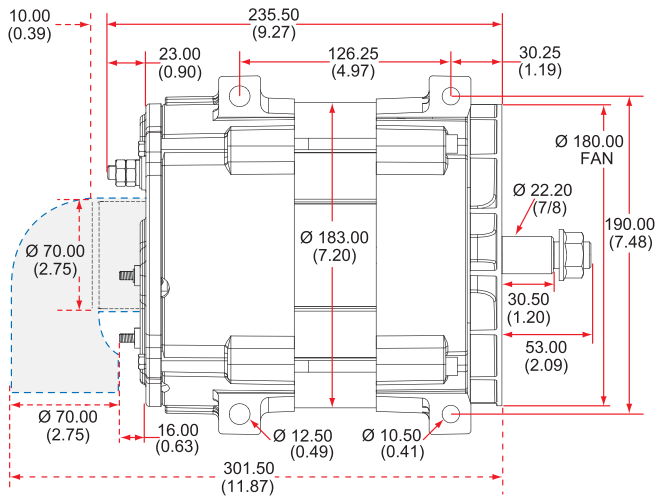
PERFORMANCE CURVES



DELSTAR

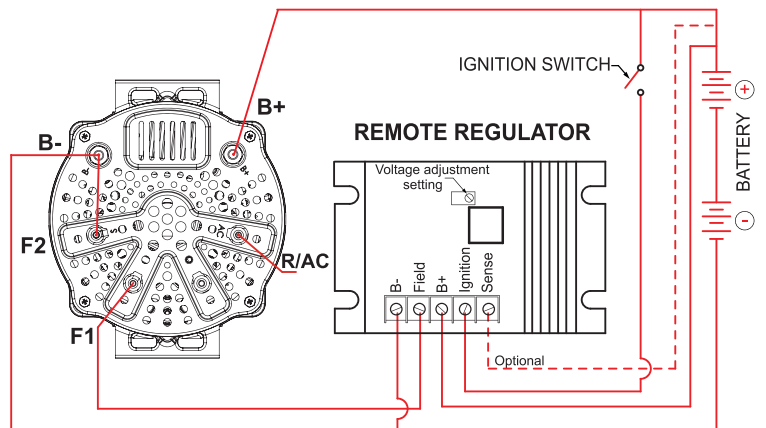
HD BRUSHLESS | SERIES 180

OUTLINE



Dimensions are listed in mm over (in)

CONNECTIONS



100-18214

28 Volts 250 Amps

ELECTRICAL SCHEMATIC

