

# DELSTAR

## HD BRUSHLESS | SERIES 180

# 100-18226

## 28 Volts 200 Amps

### PRODUCT SPECIFICATIONS

Part number	100-18226
System Voltage	24V
Rated Output	200A
Output @ 2000 rpm	130A
Ground	Isolated
Mounting	T1-7" Left 60°
Rotation	Bidirectional
Temperature limits:	
Low	-40°C / -40°F
High	110°C / 230°F
High	125°C / 257°F (with fresh air intake)
Speed limits:	7000 RPM continuous 8000 RPM intermittent
Coating	Corrosion-Resistant E-Coated
Weight	51 Lbs / 23 Kg.
Regulator	Integral
Diode Trio (D+)	Indicator Light / Ignition
Remote Sense	M5 terminal
AC	M5 terminal

### ACCESSORIES:

90° Elbow Pkg. (360° Rotatable) # 46900-1800

### RECOMMENDED FOR:

- Coach & Transit Busses
- Marine
- Mining
- Construction, Industrial

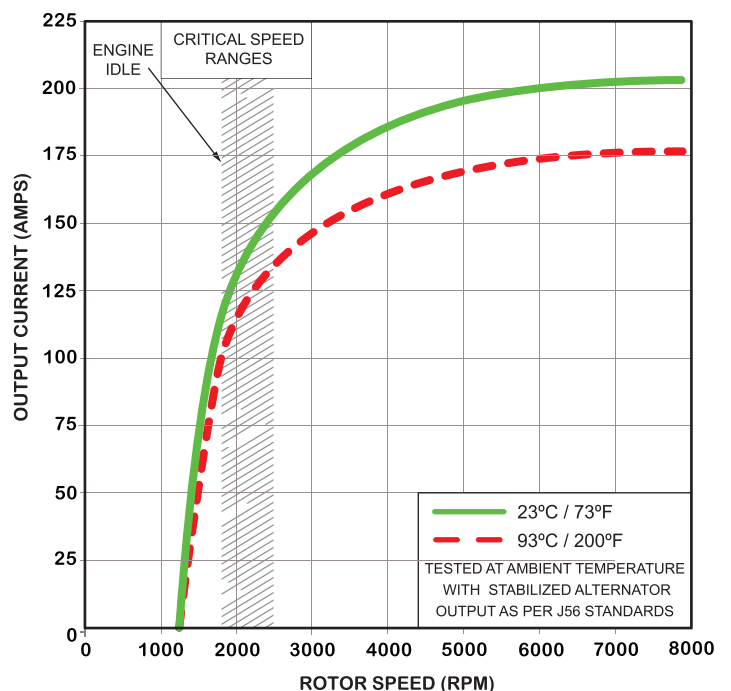


w/ optional 90° elbow

### NOTE:

*This DelStar 100-18226 alternator, meets the marine requirements for Ignition Protection on gas or diesel engines of ISO 8846, USCG, stated in Title 33 CFR 183.410, SAE J1171 and International CE Standards.*

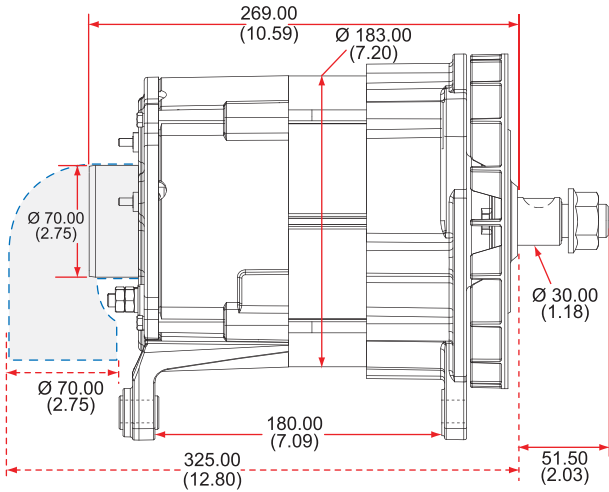
### PERFORMANCE CURVES



# DELSTAR

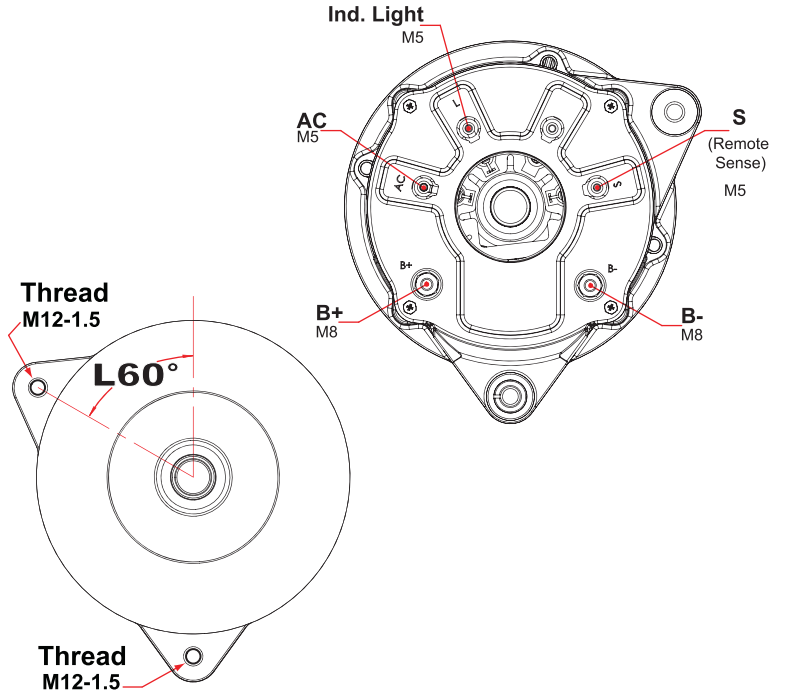
## HD BRUSHLESS | SERIES 180

### OUTLINE



Dimensions are listed in mm over (in)

### CONNECTIONS



# 100-18226

28 Volts 200 Amps

### ELECTRICAL SCHEMATIC

