

# DELSTAR

## HD BRUSHLESS | SERIES 180

# 100-18228

## 28 Volts 265 Amps

### PRODUCT SPECIFICATIONS

<b>Part number</b>	100-18228
<b>System Voltage</b>	24V
<b>Rated Output</b>	265A
<b>Output @ 2000 rpm</b>	165A
<b>Ground</b>	Isolated
<b>Mounting</b>	T1-7" Left 60°
<b>Rotation</b>	Bidirectional
<b>Temperature limits:</b>	
Low	- 40°C / -40°F
High	110°C / 230°F
High	125°C / 257°F (with fresh air intake)
<b>Speed limits:</b>	
	7000 RPM continuous
	8000 RPM intermittent
<b>Coating</b>	Corrosion-Resistant E-Coated
<b>Weight</b>	51 Lbs / 23 Kg.
<b>Regulator</b>	Integral
<b>Indicator Light</b>	M5 Terminal
<b>Remote Sense</b>	M5 terminal
<b>AC</b>	M5 terminal

#### ACCESSORIES:

<b>90° Elbow Pkg.</b> (360° Rotatable)	# 46900-1800
<b>Clutch Pulley</b> (10 Grv. 96mmOD)	# 2400-1803
<b>Clutch Pulley</b> (12 Grv. 96mmOD)	# 2400-1804

#### RECOMMENDED FOR:

- Coach & Transit Busses
- Marine
- Mining
- Construction, Industrial

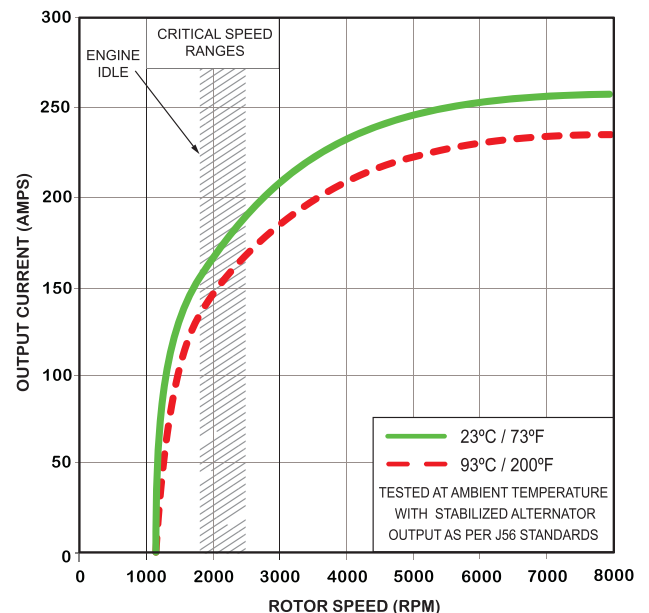


w/ optional 90° elbow

#### NOTE:

*This DelStar 100-18228 alternator, meets the marine requirements for Ignition Protection on gas or diesel engines of ISO 8846, USCG, stated in Title 33 CFR 183.410, SAE J1171 and International CE Standards.*

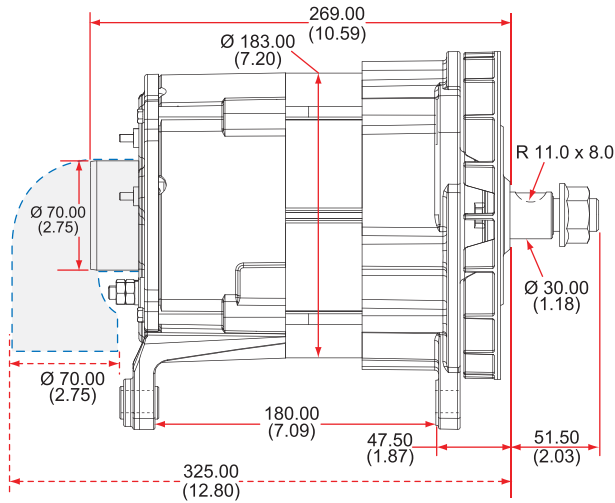
#### PERFORMANCE CURVES



# DELSTAR

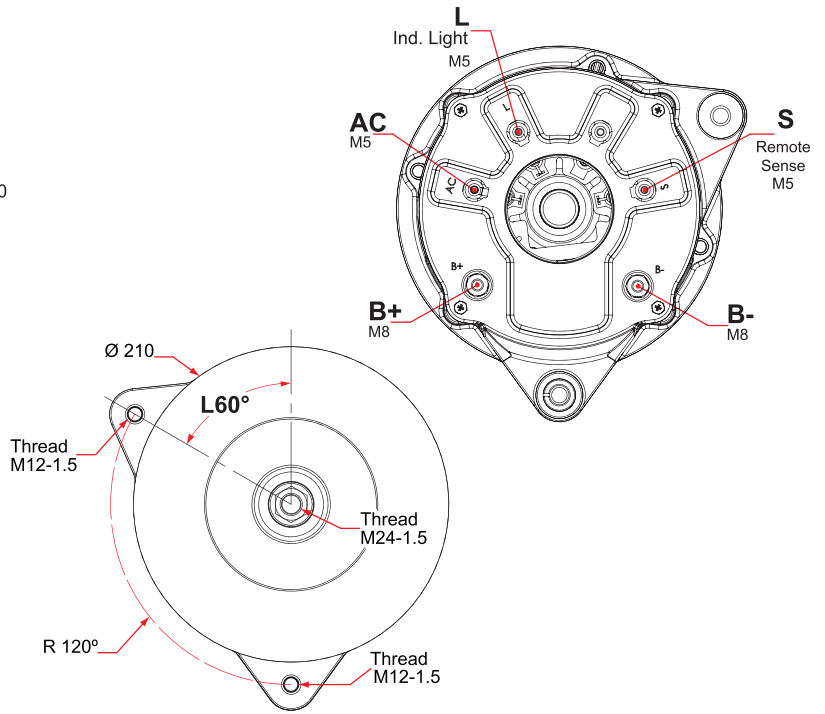
## HD BRUSHLESS | SERIES 161

### OUTLINE



Dimensions are listed in mm over (in)

### CONNECTIONS



## 100-18228

28 Volts 265 Amps

### ELECTRICAL SCHEMATIC

