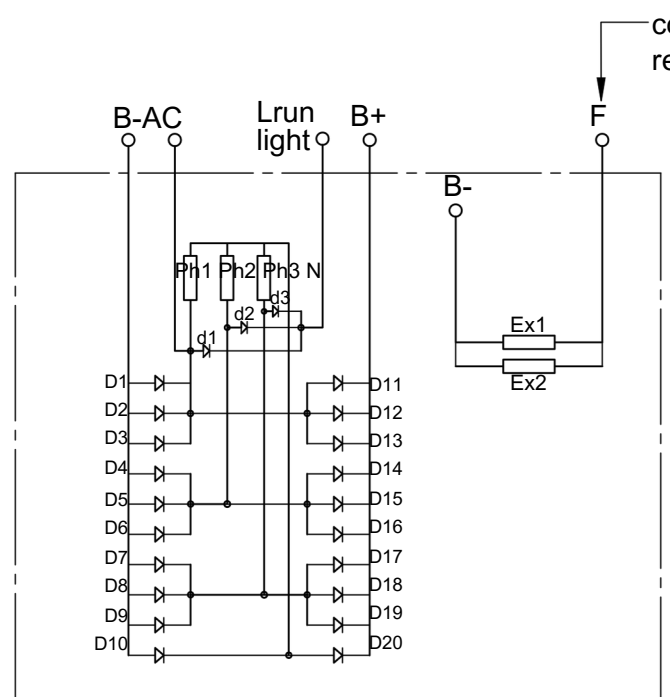
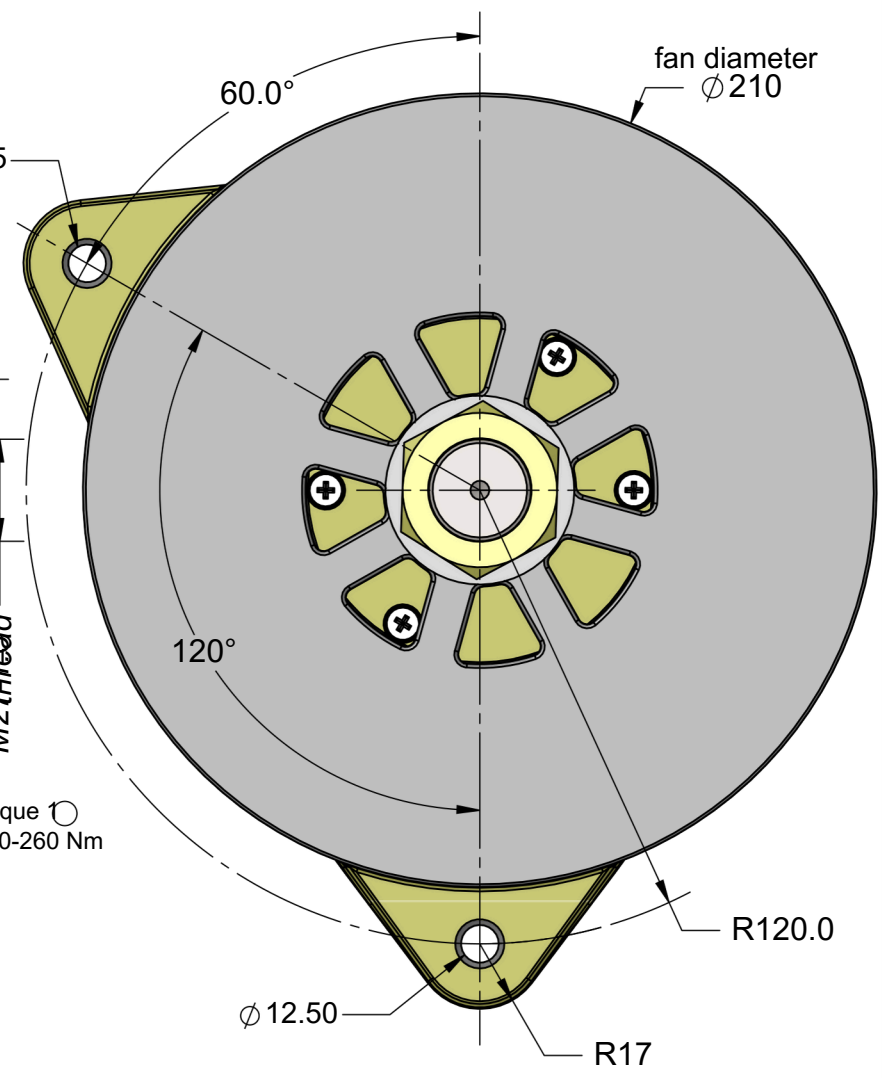
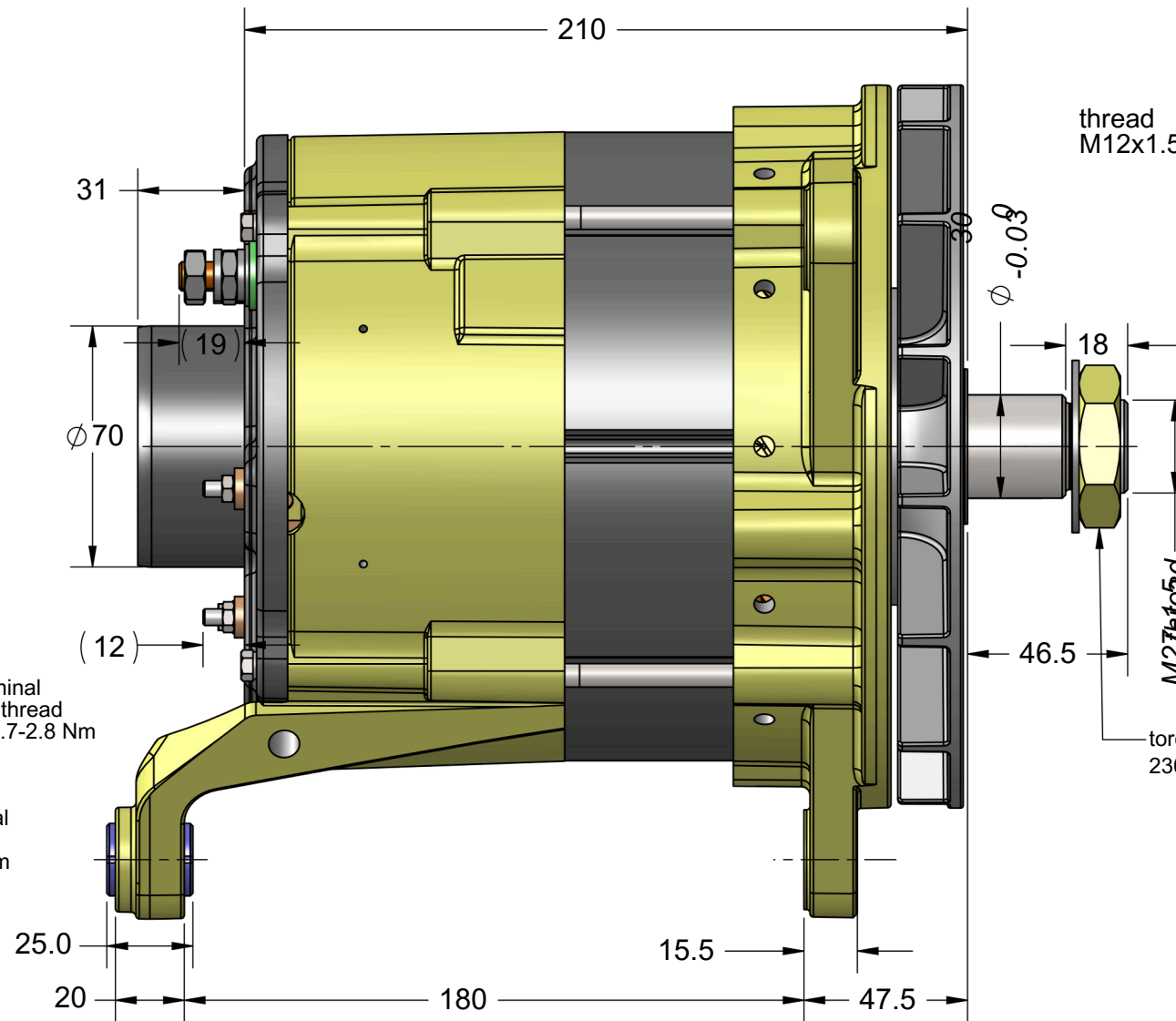
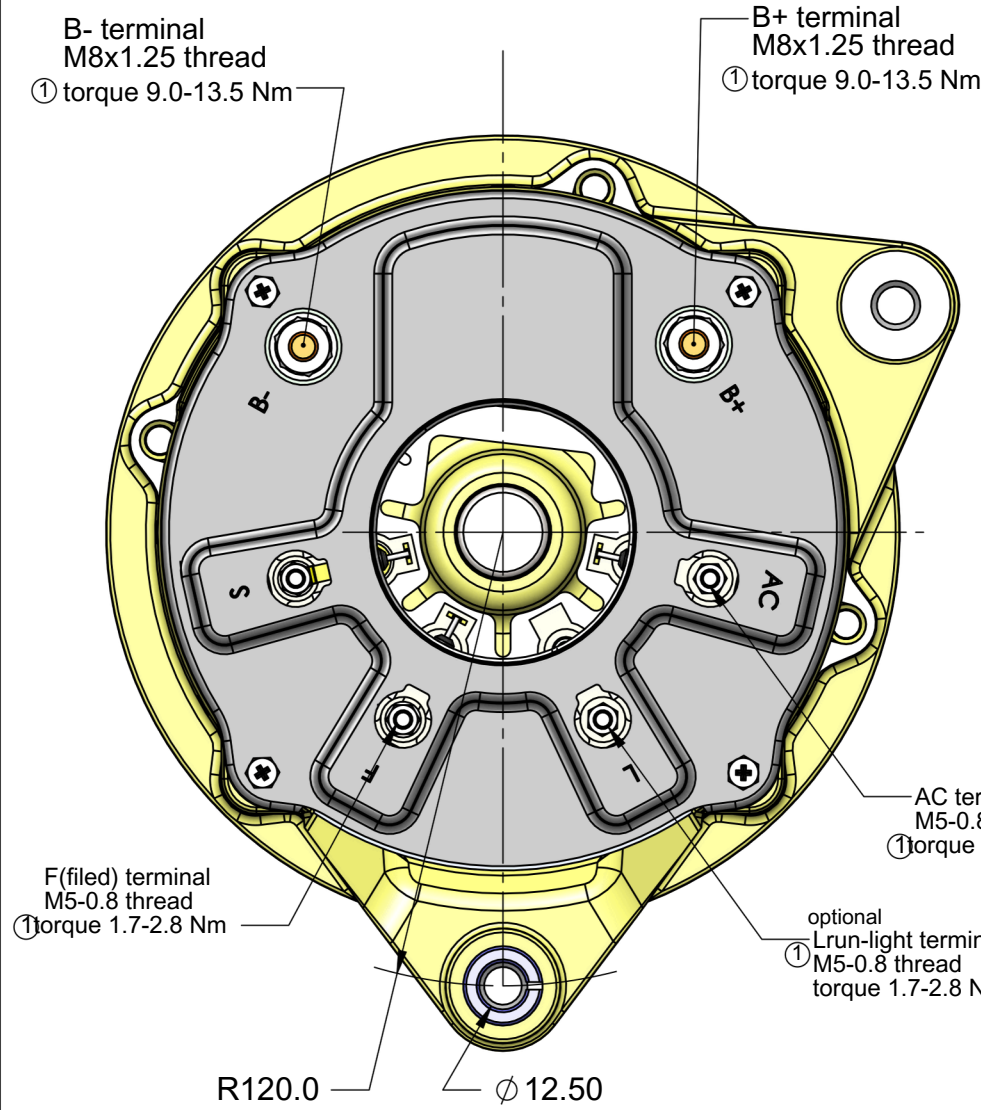


NO.	REVISION	DATE	IN'L
1	added screws torque specs.	March 07 2023	bi
2	added alternator wiring schematic (page 2)	May 05 2025	bi



Application data:
 System voltage: 28V.
 Regulator: external (p-type)
 Polarity: insulated ground.
 Alternator rated output: 250A @ 6000 rpm / SAE J56 standard.
 Max. speed: 8000 rpm.
 Rotation: bidirectional.
 Efficiency: 78 %
 Mounting: T1 style, 7 inch hinge mount.
 Alternator mass: 22 Kg.
 Rotor and fan moment of inertia: 178 Kg*sqcm.
 Finish: commercial, E-coat paint.
 Temperature range : -40 deg.C to 120 deg.C

UNLESS OTHERWISE SPECIFIED
 ALL DIM. ARE IN MM
 DO NOT SCALE.
 FLAT IS FOR REFERENCE ONLY.
 TOLERANCES: .XX ± .10
 .X ± 0.2
 X ± 0.5
 HOLES:
 FRACT.
 ANGLES ± .5 °
 THIS SYMBOL REPRESENTS
 A CONTROL DIMENSION.
 CONTROL DIMENSIONS ARE CONSIDERED
 TO BE A GOOD INDICATOR OF WHETHER
 A MANUFACTURING PROCESS IS IN
 CONTROL. THESE DIM. MUST HAVE A
 MIN Cpk OF 1.33 FOR A SAMPLE
 OF 31 CONSECUTIVE PIECES.

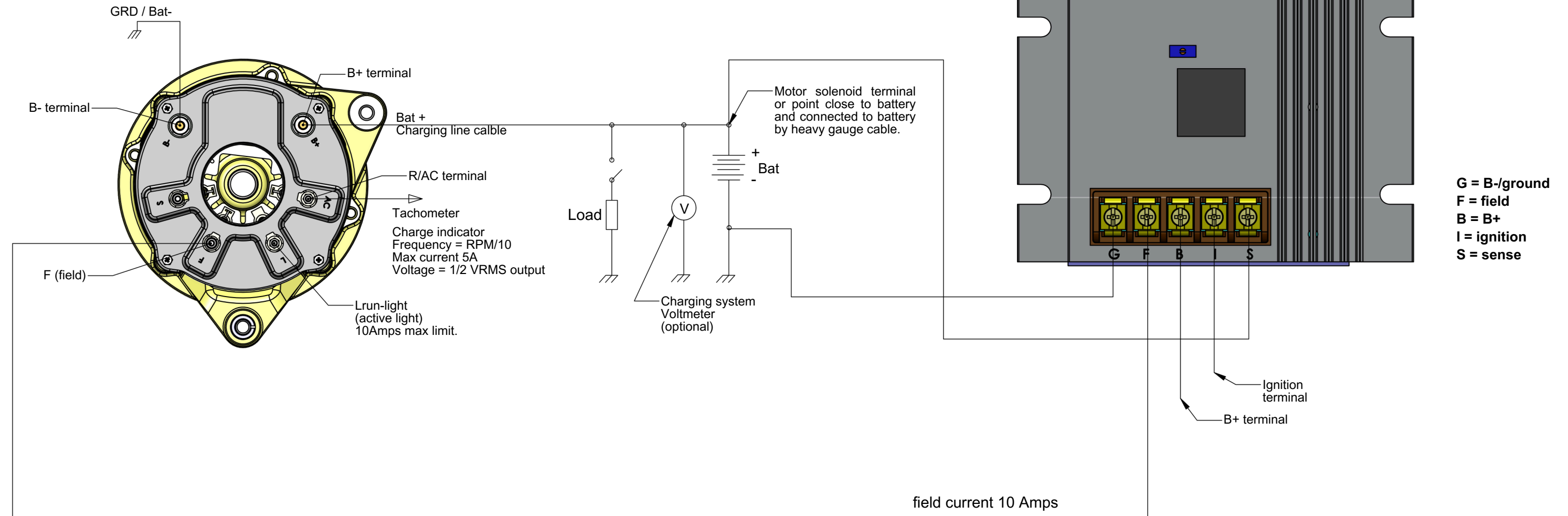
MATERIAL	
FINISH	
WHERE USED	
DR BY	bi Oct 18
CHK'D	bi 2021 Oct
SCALE	DATE 18 2021

TITLE Delstar Series 180 T1 style, L60°		REV 2
DWG NO. 100-18264E rev2	SHEET 10F2	SIZE B

This drawing, and the design of the article represented herein, are the exclusive property of Dixie Electric Limited and are provided strictly on a confidential basis. The drawing and design shall be used only for the purposes for which they have been provided and shall not be produced, reproduced, altered, used, published or disclosed to others without the prior written consent of Dixie Electric Limited.

NO.	REVISION	DATE	PCN NO.	IN'L

② **Wiring Schematic - Delstar 180 series, p-type external regulator**



Recommendation regarding cable selection:
- Voltage drop on the charging line cable should not exceed 0.5 Volts (24V system) at maximum alternator output.

UNLESS OTHERWISE SPECIFIED
ALL DIM. ARE IN MM
DO NOT SCALE.
FLAT IS FOR REFERENCE ONLY.
TOLERANCES: .XX ± .10
.X ± 0.2
X ± 0.5
HOLES:
FRACT.
ANGLES ± .5 °
THIS SYMBOL REPRESENTS
A CONTROL DIMENSION.
CONTROL DIMENSIONS ARE CONSIDERED
TO BE A GOOD INDICATOR OF WHETHER
A MANUFACTURING PROCESS IS IN
CONTROL. THESE DIM. MUST HAVE A
MIN Cpk OF 1.33 FOR A SAMPLE
OF 31 CONSECUTIVE PIECES.

MATERIAL	
FINISH	
WHERE USED	
DR BY	
CHK'D	
SCALE	DATE

TITLE Delstar Series 180 T1 style, L60°		REV 2
DWG NO. 100-18264E rev22OF2	SHEET	SIZE B
BERMAN BERMANTEC.COM		

This drawing, and the design of the article represented herein, are the exclusive property of Dixie Electric Limited and are provided strictly on a confidential basis. The drawing and design shall be used only for the purposes for which they have been provided and shall not be produced, reproduced, altered, used, published or disclosed to others without the prior written consent of Dixie Electric Limited.