

# DELSTAR

HD BRUSHLESS | SERIES 250

## 100-25208,-D 28 Volts 320 Amps

### PRODUCT SPECIFICATIONS

Part number	100-25208
System Voltage	24V
Rated Output	320A
Outout @ 2000 rpm	215A
Ground	Negative
Mounting	J-180 4"
Rotation	Bidirectional
Temperature limits:	
Low	- 40°C / -40°F
High	110°C / 230°F
High	125°C / 257°F (with fresh air intake)
Speed limits:	7000 RPM continuous 8000 RPM intermittent
Coating	Corrosion-Resistant E-Coated
Weight	53 Lbs / 24 Kg.
Regulator	Integral
Diode Trio (D+)	Indicator Light / Ignition
Remote Sense	M5 terminal
AC	M5 terminal

#### ACCESSORIES:

90° Elbow Pkg. (360° Rotatable) # 46900-1800

#### RECOMMENDED FOR:

- Coach & Transit Busses
- Marine
- Mining
- Construction, Industrial



100-25208

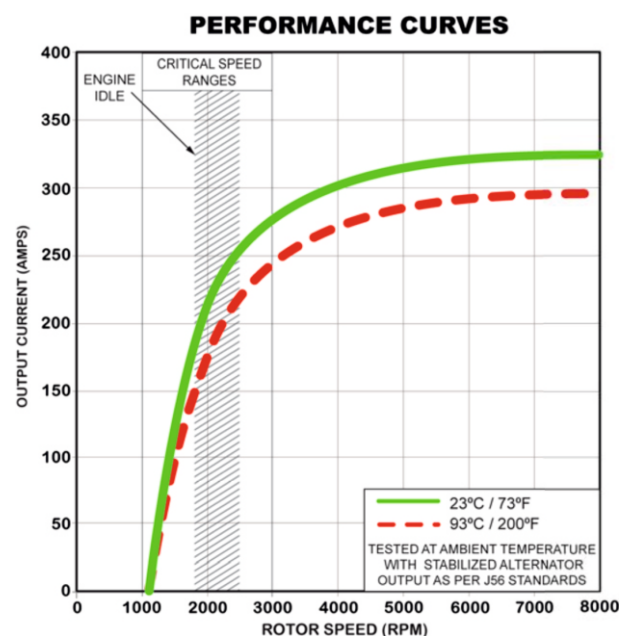


100-25208-D

with air intake cover & Optional 90° elbow

#### NOTE:

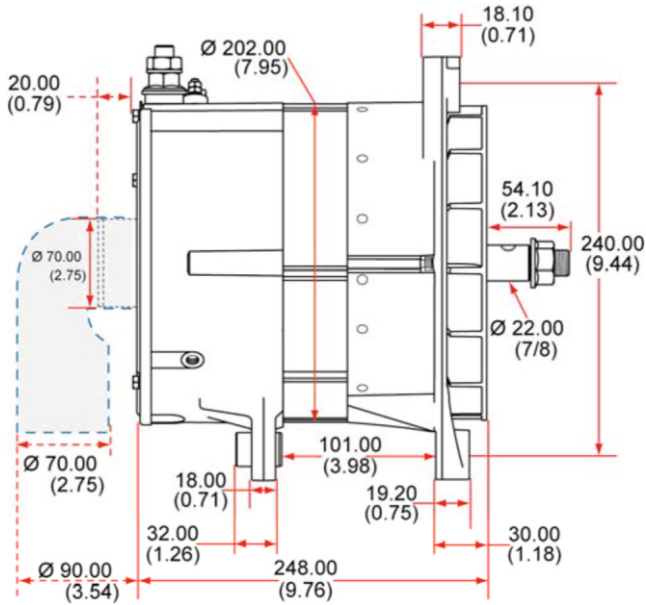
*This DelStar 100-25208 alternator, meets the marine requirements for Ignition Protection on gas or diesel engines of ISO 8846, USCG, stated in Title 33 CFR 183.410, SAE J1171 and International CE Standards.*



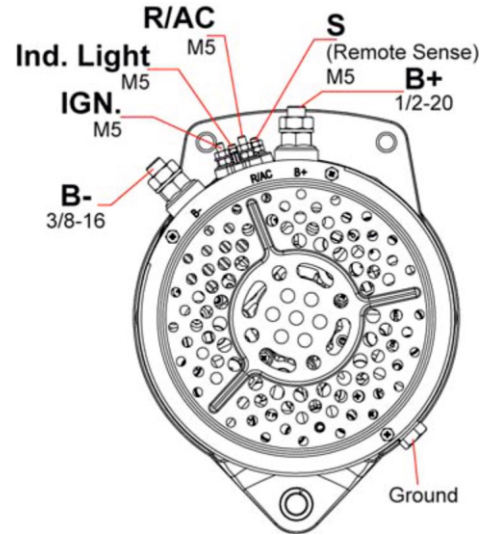
# DELSTAR

## HD BRUSHLESS | SERIES 250

### OUTLINE



### CONNECTIONS



Dimensions are listed in mm over (in)

## 100-25208,-D

### 28 Volts 320 Amps

### ELECTRICAL SCHEMATIC

