

DELSTAR

HD BRUSHLESS / SERIES 300

100-30205

28 Volts 400 Amps

PRODUCT SPECIFICATIONS

Part number	100-30205
System Voltage	24V
Rated Output	400A
Output @ 2000 rpm	260A
Ground	Isolated
Mounting	Cradle
Rotation	Bidirectional
Temperature limits:	
Low	- 40°C / -40°F
High	93°C / 200°F (with air precleaner)
High	110°C / 230°F (with fresh air intake hose)
Speed limits:	7000 RPM continuous 8000 RPM intermittent
Coating	Corrosion-Resistant E-Coated
Weight	77 Lbs / 35 Kg.
Regulator	Remote
Relay/AC	M5 terminal

ACCESSORIES:

Remote Voltage Regulator	# 3500-50251
Oil Line Cap Kit (oil cooled to air cooled conversion)	# 4900-5000

RECOMMENDED FOR:

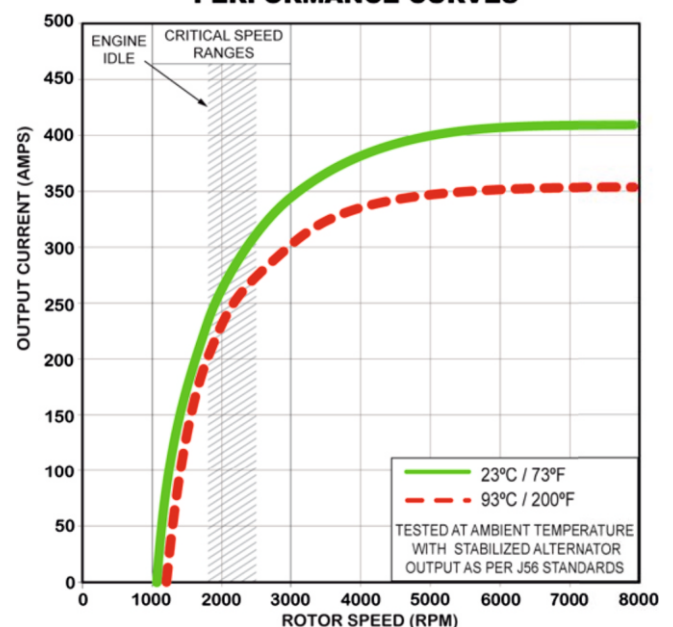
- Transit Bus
- Motor Coach
- Marine
- Mining
- Industrial



NOTE:

This DelStar **100-30205** alternator, meets the marine requirements for Ignition Protection on gas or diesel engines of ISO 8846, USCG, stated in Title 33 CFR 183.410, SAE J1171 and International CE Standards.

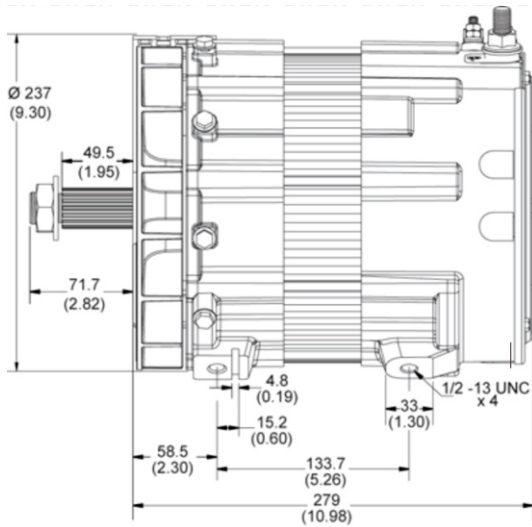
PERFORMANCE CURVES



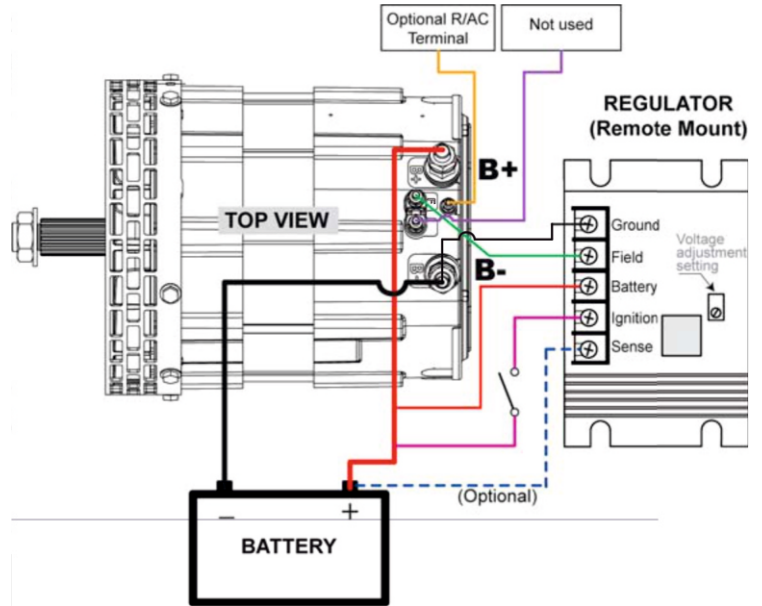
DELSTAR

HD BRUSHLESS | SERIES 300

OUTLINE



CONNECTIONS



Dimensions are listed in mm over (in)

100-30205
 28 Volts 400 Amps

ELECTRICAL SCHEMATIC

