

DELSTAR

HD BRUSHLESS / SERIES 400

100-40205

28 Volts 550 Amps

PRODUCT SPECIFICATIONS

Part number	100-40205
System Voltage	24V
Rated Output	550A
Output @ 2000 rpm	345A
Ground	Negative
Mounting	Cradle
Rotation	Bidirectional
Temperature limits:	
Low	- 40°C / -40°F
High	93°C / 200°F (with air precleaner)
High	110°C / 230°F (with fresh air intake hose)
Speed limits:	7000 RPM continuous 8000 RPM intermittent
Coating	Corrosion-Resistant E-Coated
Weight	94 Lbs / 42.5 Kg.
Regulator	Remote
Relay/AC	M5 terminal

ACCESSORIES:

Remote Voltage Regulator	# 3500-50251
Air Precleaner	# 4800-2101
Oil Line Cap Kit (oil cooled to air cooled conversion)	# 4900-5000

RECOMMENDED FOR:

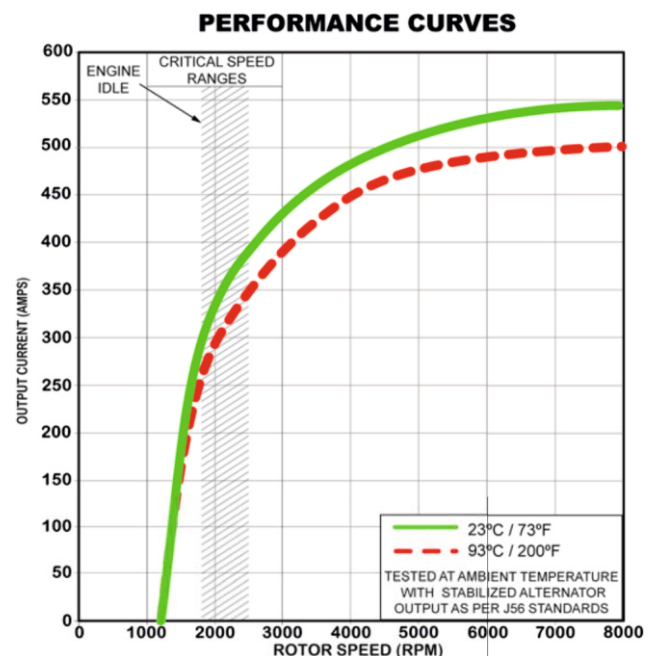
- Transit Bus
- Motor Coach
- Marine
- Mining
- Industrial



With Air Precleaner (as supplied)

NOTE:

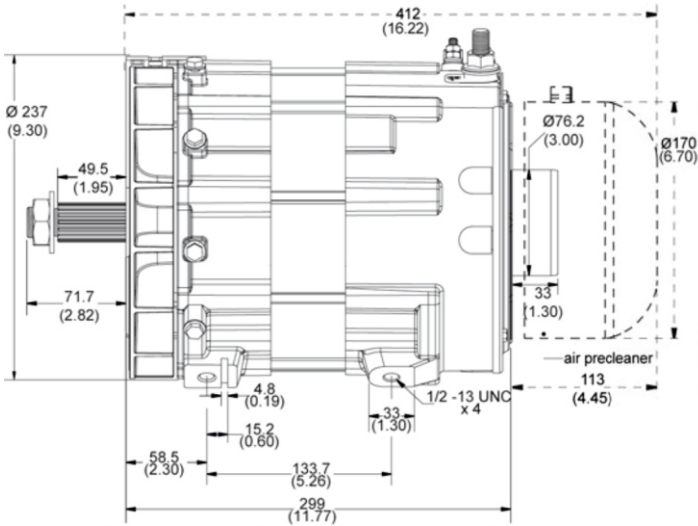
This DelStar **100-40205** alternator, meets the marine requirements for Ignition Protection on gas or diesel engines of ISO 8846, USCG, stated in Title 33 CFR 183.410, SAE J1171 and International CE Standards.



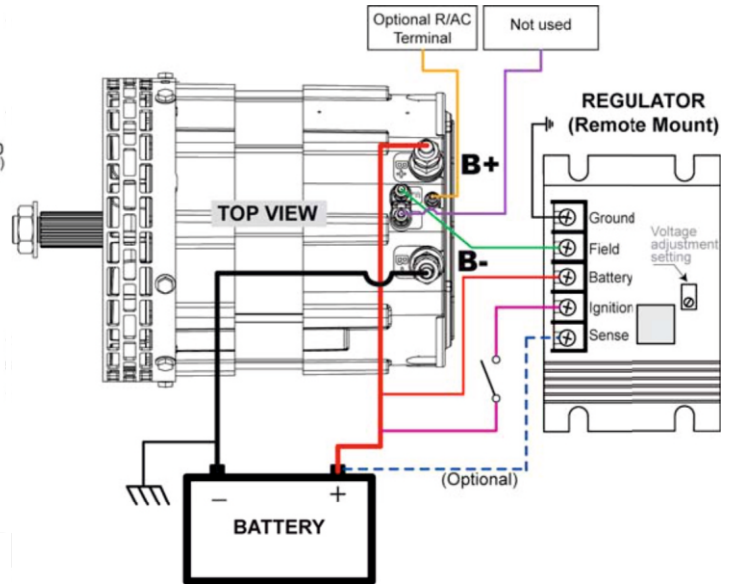
DELSTAR

HD BRUSHLESS | SERIES 400

OUTLINE



CONNECTIONS



Dimensions are listed in mm over (in)

100-40205

28 Volts 550 Amps

ELECTRICAL SCHEMATIC

