

# DELSTAR

## HD BRUSHLESS | SERIES 400

# 100-40207

## 28 Volts 525 Amps

### PRODUCT SPECIFICATIONS

Part number	100-40207
System Voltage	24V
Rated Output	525A
Output @ 2000 rpm	335A
Ground	Isolated
Mounting	Cradle
Rotation	Bidirectional
Temperature limits:	
Low	- 40°C / -40°F
High	93°C / 200°F (with air precleaner)
High	110°C / 230°F (with fresh air intake hose)
Speed limits:	7000 RPM continuous 8000 RPM intermittent
Coating	Corrosion-Resistant E-Coated
Weight	94 Lbs / 42.5 Kg.
Regulator	Remote
Relay/AC	M5 terminal

### ACCESSORIES:

Remote Voltage Regulator	# 3500-50251
Air Precleaner	# 4800-2101
Oil Line Cap Kit (oil cooled to air cooled conversion)	# 4900-5000

### RECOMMENDED FOR:

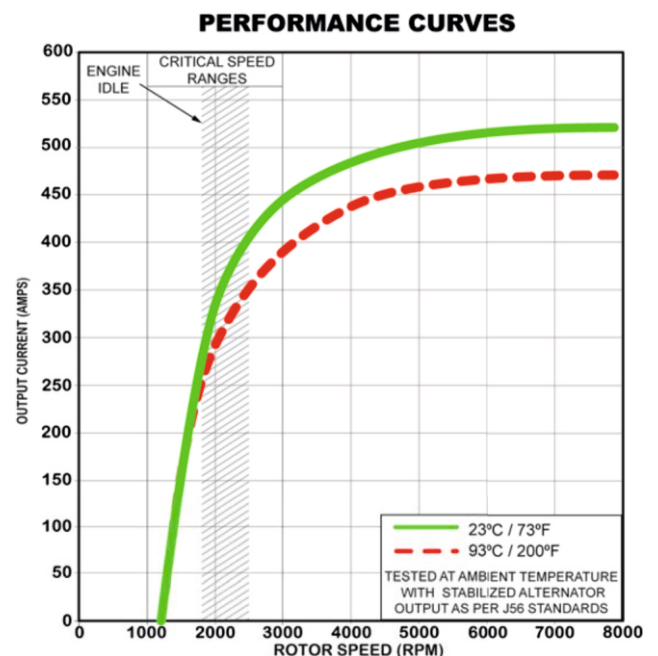
- Marine
- Mining
- Industrial
- Construction



With Air Precleaner (as supplied)

### NOTE:

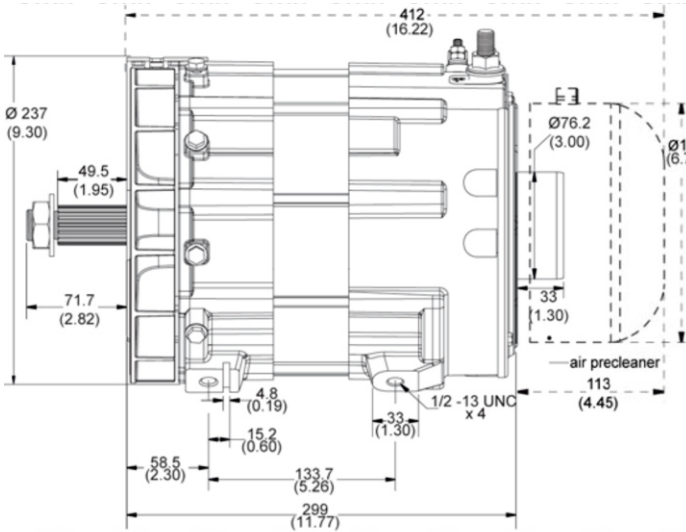
This DelStar **100-40207** alternator, meets the marine requirements for Ignition Protection on gas or diesel engines of ISO 8846, USCG, stated in Title 33 CFR 183.410, SAE J1171 and International CE Standards.



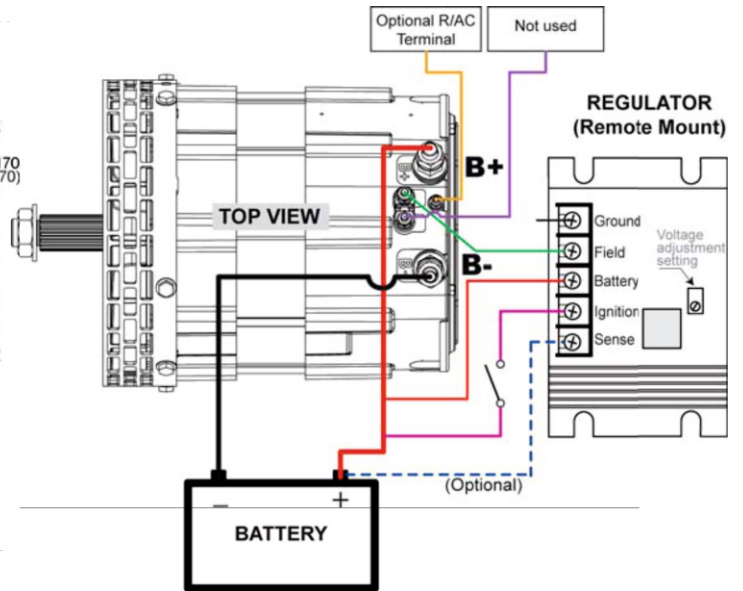
# DELSTAR

## HD BRUSHLESS | SERIES 400

### OUTLINE



### CONNECTIONS



Dimensions are listed in mm over (in)

**100-40207**  
 28 Volts 525 Amps

### ELECTRICAL SCHEMATIC

