

DELSTAR

HD BRUSHLESS | SERIES 170

1170-10201

28 Volts 200 Amps

PRODUCT SPECIFICATIONS

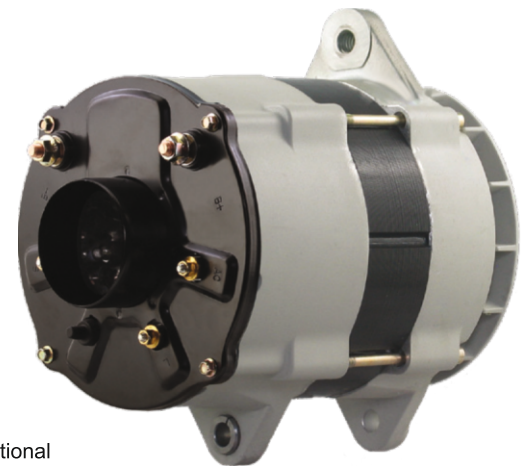
Part number	1170-10201
System Voltage	24V
Rated Output	200A
Outout @ 2000 rpm	114A
Ground	Insulated
Mounting	J-180 4" Hinge
Rotation	Bidirectional
Temperature limits:	Low -40°C / -40°F High 110°C / 230°F High 125°C / 257°F (with fresh air intake)
Speed limits:	7000 RPM continuous 8000 RPM intermittent
Coating	Corrosion-Resistant E-Coated
Weight	38 Lbs / 17.4 Kg.
Regulator	Alpha Pro III (Remote) <i>Please contact your MASTERVOLT dealer</i>

ACCESSORIES:

- Air Intake Cover # 46400-171

RECOMMENDED FOR:

- Marine
- Mining
- Construction
- Industrial
- Utility Vehicles



with optional
air intake cover

Designed to be used with:



*Sold separately
Please contact your **MASTERVOLT** dealer

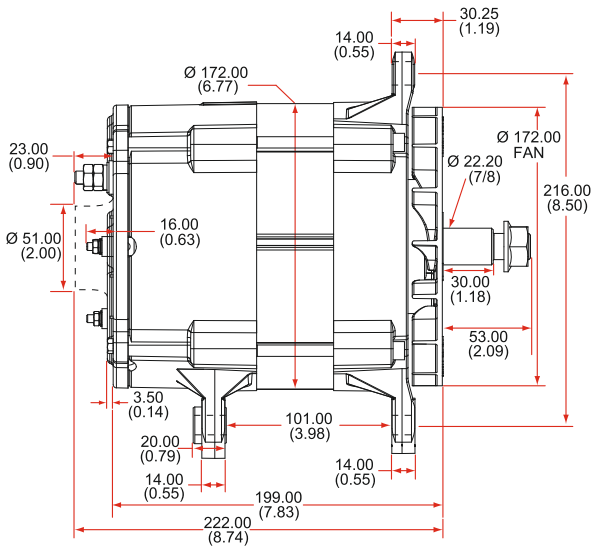
NOTE:

This DelStar 1170-10201 alternator, meets the marine requirements for Ignition Protection on gas or diesel engines of ISO 8846, USCG, stated in Title 33 CFR 183.410, SAE J1171 and International CE Standards.

DELSTAR

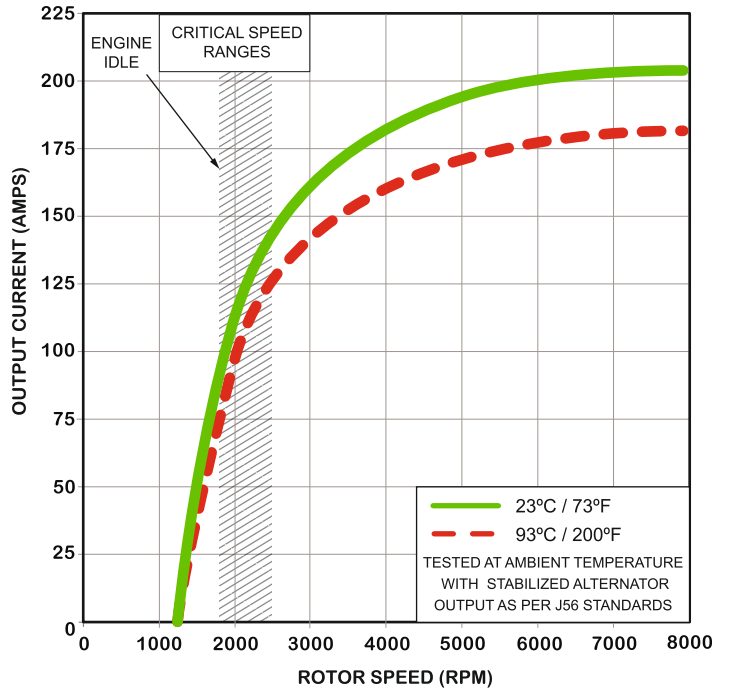
HD BRUSHLESS | SERIES 170

OUTLINE



Dimensions are listed in mm over (in)

PERFORMANCE CURVES



1170-10201

28 Volts 200 Amps

CONNECTIONS

