

DELSTAR

HD BRUSHLESS | SERIES 180

1180-10201

28 Volts 250 Amps

PRODUCT SPECIFICATIONS

Part number	1180-10201
System Voltage	24V
Rated Output	250A
Outout @ 2000 rpm	160A
Ground	Insulated
Mounting	J-180 4" Hinge
Rotation	Bidirectional
Temperature limits:	Low -40°C / -40°F
	High 110°C / 230°F
	High 125°C / 257°F (with fresh air intake)
Speed limits:	7000 RPM continuous
	8000 RPM intermittent
Coating	Corrosion-Resistant E-Coated
Weight	46 Lbs / 21 Kg.
Regulator	Alpha Pro III (Remote) <i>Please contact your MASTERVOLT dealer</i>

ACCESSORIES:

- 90° Elbow Pkg. (360° Rotatable) # 46900-1800
- Air Intake Cover # 46400-181

RECOMMENDED FOR:

- Marine
- Mining
- Construction
- Industrial
- Utility Vehicles



Designed to be used with:



*Sold separately
*Please contact your **MASTERVOLT** dealer*

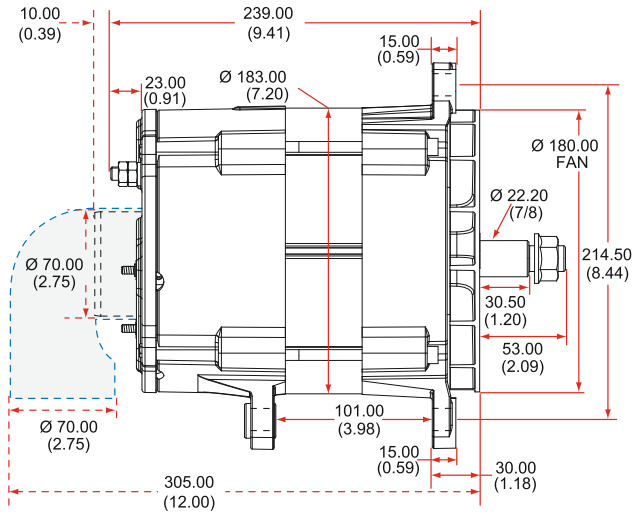
NOTE:

This DelStar 1180-10201 alternator, meets the marine requirements for Ignition Protection on gas or diesel engines of ISO 8846, USCG, stated in Title 33 CFR 183.410, SAE J1171 and International CE Standards.

DELSTAR

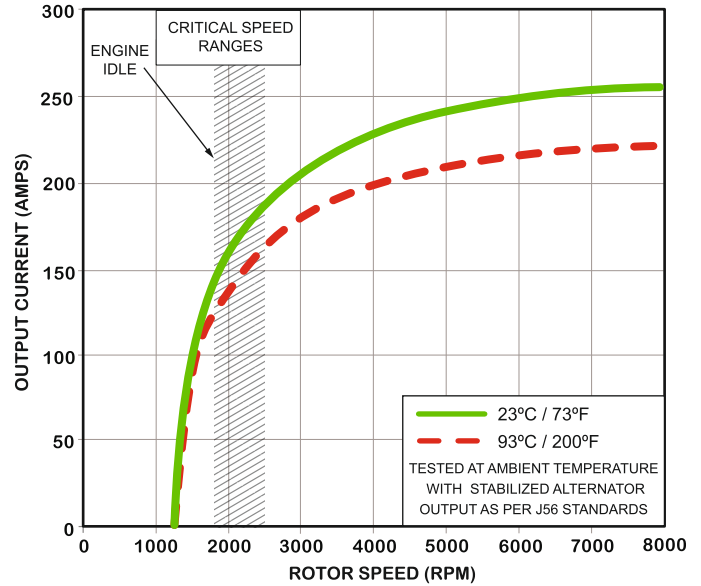
HD BRUSHLESS | SERIES 180

OUTLINE



Dimensions are listed in mm over (in)

PERFORMANCE CURVES



1180-10201

28 Volts 250 Amps

CONNECTIONS

