

DELSTAR

HD BRUSHLESS | SERIES 400

1400-40241

28 Volts 550 Amps

PRODUCT SPECIFICATIONS

Part number	1400-40241
System Voltage	24V
Rated Output	550A
Output @ 2000 rpm	345A
Ground	Isolated
Mounting	Cradle
Rotation	Bidirectional
Temperature limits:	Low -40°C / -40°F
	High 93°C / 200°F
	High 110°C / 230°F (with fresh air intake hose)
Speed limits:	7000 RPM continuous
	8000 RPM intermittent
Coating	Corrosion-Resistant E-Coated
Weight	94 Lbs / 42.5 Kg.
Regulator	Alpha Pro III (Remote) <i>Please contact your MASTERVOLT dealer</i>

ACCESSORIES:

- Air Precleaner # 4800-2101

RECOMMENDED FOR:

- Coach & Transit Busses
- Marine
- Mining
- Construction
- Industrial



with optional
air intake cover



with optional
air precleaner

Designed to be used with:



*Sold separately
Please contact your **MASTERVOLT** dealer

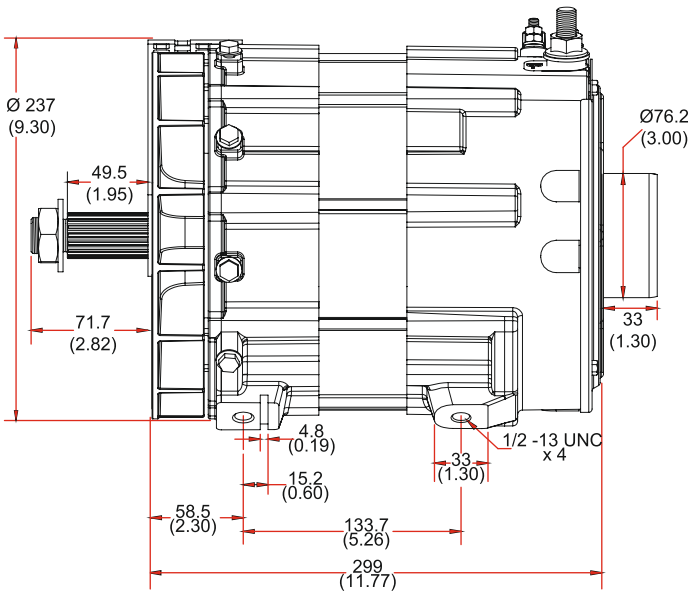
NOTE:

This DelStar **1400-40241** alternator, meets the marine requirements for Ignition Protection on gas or diesel engines of ISO 8846, USCG, stated in Title 33 CFR 183.410, SAE J1171 and International CE Standards.

DELSTAR

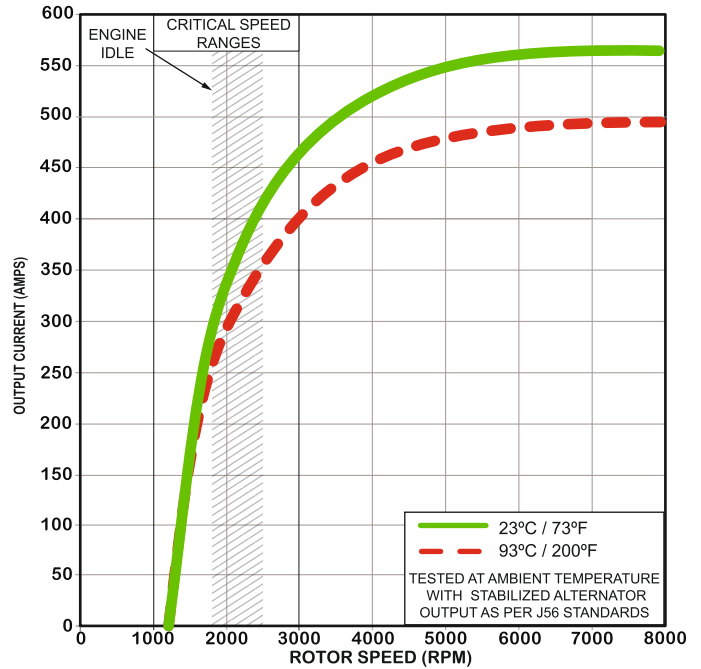
HD BRUSHLESS | SERIES 400

OUTLINE



Dimensions are listed in mm over (in)

PERFORMANCE CURVES



1400-40241

28 Volts 550 Amps

CONNECTIONS

