

# DELSTAR

## HD BRUSHLESS / SERIES 160

### 100-16101,-D

14 Volts 275 Amps

#### PRODUCT SPECIFICATIONS

Part number	100-16101
System Voltage	12V
Rated Output	275A
Output @ 2000 rpm	135A
Ground	Negative
Mounting	J180 4" Hinge
Rotation	CW
Temperature limits:	
Low	-40°C / -40°F
High	110°C / 230°F
High	125°C / 257°F (with fresh air intake)
Speed limits:	
	8000 RPM continuous
	9000 RPM intermittent
Coating	Corrosion-Resistant E-Coated
Weight	28 Lbs / 12.7 Kg.
Regulator	Integral
Excitation	Self-excite (@ 1500 rpm or less)
Indicator Light	Yes
Remote Sense Regulation	Yes
Soft Start Functions	Yes
6 Sec. Load Response Control (LRC)	Yes
Field Short Circuit Protection	Yes
Load Dump Protection	Yes
Over Voltage Protection	Yes

#### RECOMMENDED FOR:

- School & Shuttle Buses
- Utility Vehicles
- Marine & Mining
- Agricultural
- Construction & Industrial

### 100-16101



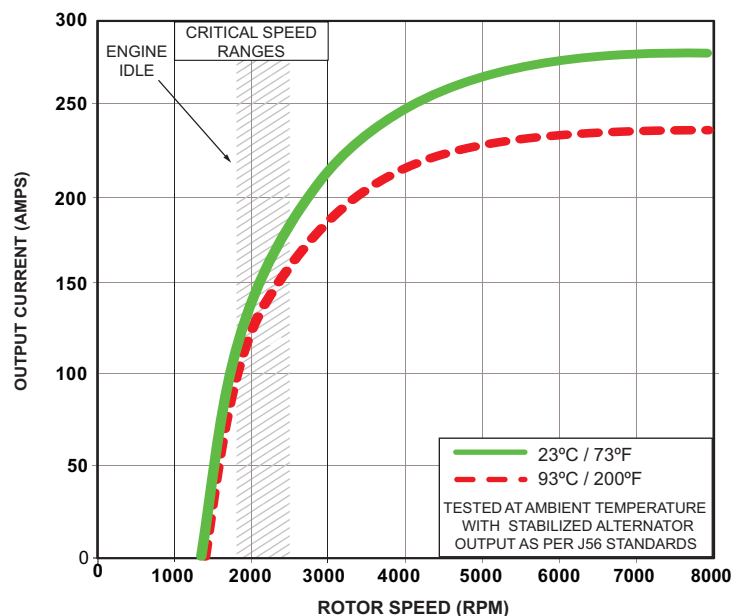
### 100-16101-D

with air intake cover

#### NOTE:

This DelStar **100-16101** alternator, meets the marine requirements for Ignition Protection on gas or diesel engines of ISO 8846, USCG, stated in Title 33 CFR 183.410, SAE J1171 and International CE Standards.

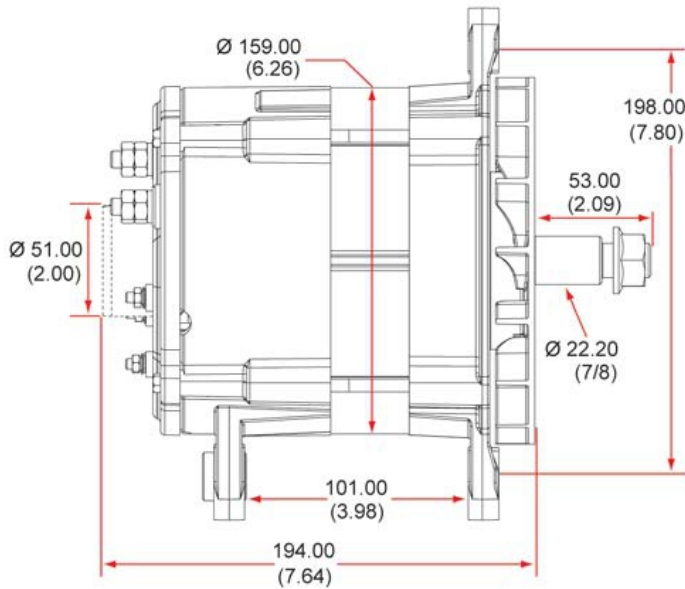
#### PERFORMANCE CURVES



# DELSTAR

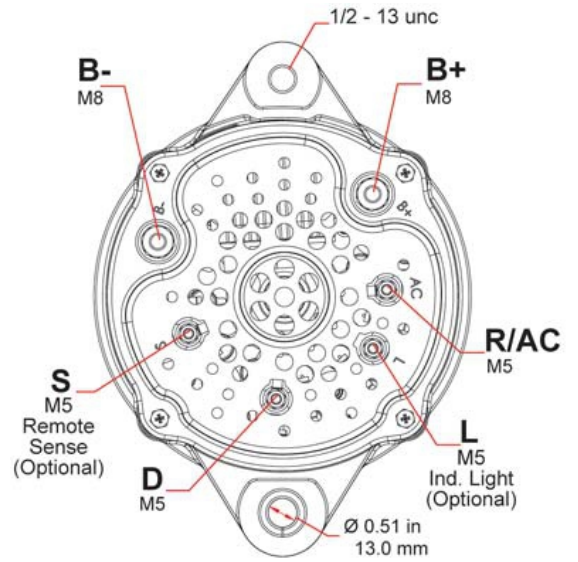
## HD BRUSHLESS | SERIES 160

### OUTLINE



Dimensions are listed in mm over (in)

### CONNECTIONS



If the vehicle has an ignition (excite) circuit, connect wire to "D" (dummy) terminal.

**100-16101**  
 14 Volts 275 Amps

### ELECTRICAL SCHEMATIC

