

DELSTAR

HD BRUSHLESS | SERIES 161

100-16104,-D

14 Volts 200 Amps

PRODUCT SPECIFICATIONS

Part number	100-16104
System Voltage	12V
Rated Output	200A
Output @ 2000 rpm	116A
Ground	Isolated
Mounting	J180 4" Hinge
Rotation	CW
Temperature limits:	
Low	-40°C / -40°F
High	110°C / 230°F
High	125°C / 257°F (with fresh air intake)
Speed limits:	8000 RPM continuous 9000 RPM intermittent
Coating	Corrosion-Resistant E-Coated
Weight	28 Lbs / 12.7 Kg.
Regulator	Remote

100-16104



100-16104-D

with air intake cover

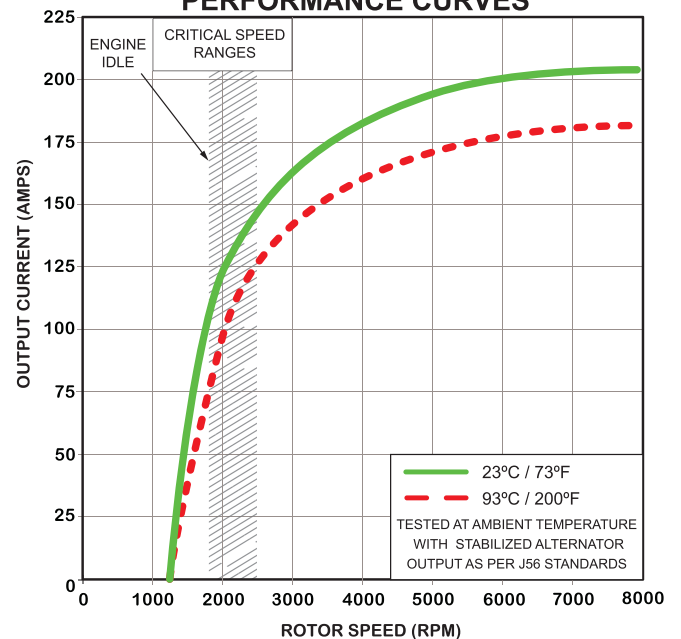
NOTE:

This DelStar **100-16104** alternator, meets the marine requirements for Ignition Protection on gas or diesel engines of ISO 8846, USCG, stated in Title 33 CFR 183.410, SAE J1171 and International CE Standards.

RECOMMENDED FOR:

- School & Shuttle Buses
- Utility Vehicles
- Marine & Mining
- Agricultural
- Construction & Industrial

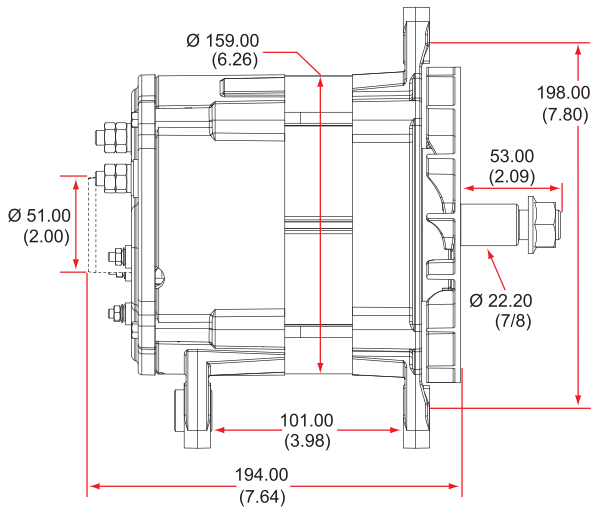
PERFORMANCE CURVES



DELSTAR

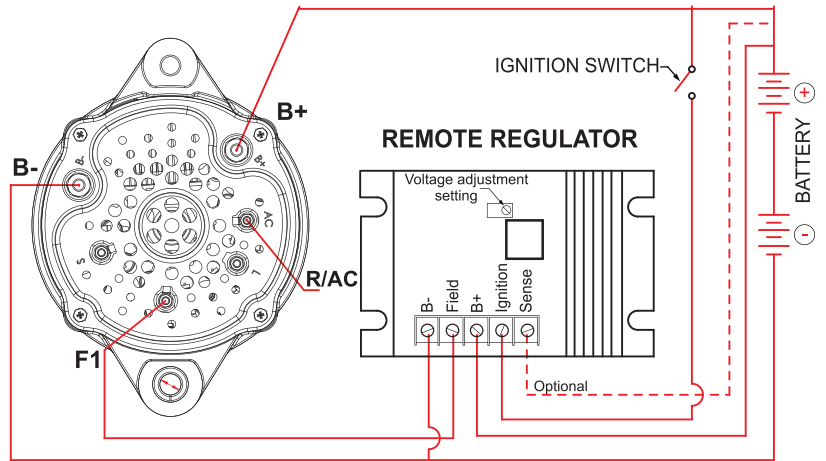
HD BRUSHLESS | SERIES 161

OUTLINE



Dimensions are listed in mm over (in)

CONNECTIONS



If the vehicle has an ignition (excite) circuit, connect wire to "D" (dummy) terminal.

100-16104

14 Volts 200 Amps

ELECTRICAL SCHEMATIC

