

DELSTAR

HD BRUSHLESS | SERIES 160

100-16108-D

14 Volts 300 Amps

PRODUCT SPECIFICATIONS

Part number	100-16108
System Voltage	12V
Rated Output	300A
Output @ 2000 rpm	140A
Ground	Isolated
Mounting	J180 4" Hinge
Rotation	CW
Temperature limits:	
Low	-40°C / -40°F
High	110°C / 230°F
High	125°C / 257°F (with fresh air intake)
Speed limits:	
	8000 RPM continuous
	9000 RPM intermittent
Coating	Corrosion-Resistant E-Coated
Weight	28 Lbs / 12.7 Kg.
Regulator	Integral
Excitation	Self-excite (@ 1500 rpm or less)
Indicator Light	Yes
Remote Sense Regulation	Yes
Soft Start Function	Yes
6 Sec. Load Response Control (LRC)	Yes
Field Short Circuit Protection	Yes
Load Dump Protection	Yes
Over Voltage Protection	Yes

RECOMMENDED FOR:

- School & Shuttle Buses
- Utility Vehicles
- Marine & Mining
- Agricultural
- Construction & Industrial

100-16108



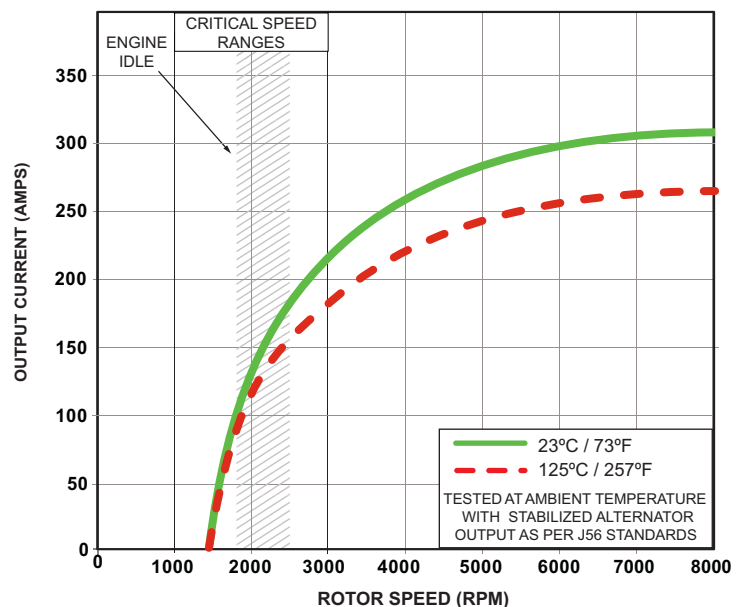
100-16108-D

with air intake cover

NOTE:

This DelStar **100-16108** alternator, meets the marine requirements for Ignition Protection on gas or diesel engines of ISO 8846, USCG, stated in Title 33 CFR 183.410, SAE J1171 and International CE Standards.

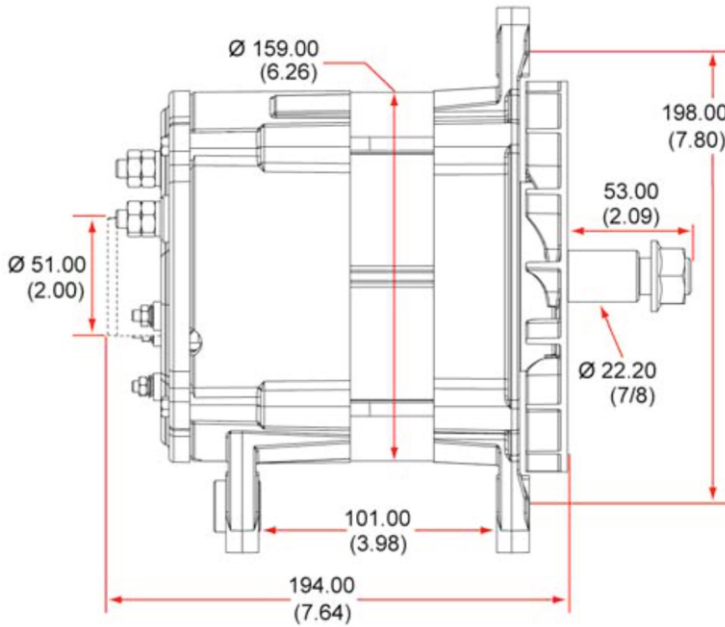
PERFORMANCE CURVES



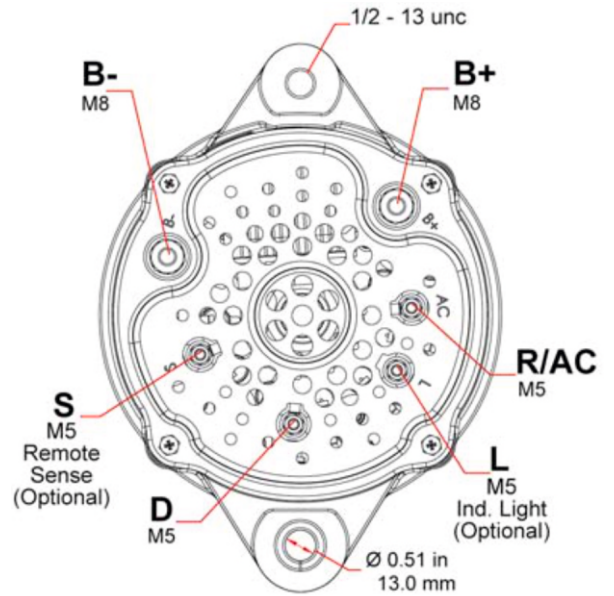
DELSTAR

HD BRUSHLESS | SERIES 160

OUTLINE



CONNECTIONS



Dimensions are listed in mm over (in)

If the vehicle has an ignition (excite) circuit, connect wire to "D" (dummy) terminal.

100-16108
 14 Volts 300 Amps

ELECTRICAL SCHEMATIC

