

# DELSTAR

## HD BRUSHLESS | SERIES 180

# 100-18206,-D

## 28 Volts 300 Amps

### PRODUCT SPECIFICATIONS

Part number	100-18206
System Voltage	24V
Rated Output	300A
Output @ 2000 rpm	134A
Ground	Isolated
Mounting	J180 4" Hinge
Rotation	Bidirectional
<b>Temperature limits:</b>	
Low	-40°C / -40°F
High	110°C / 230°F
High	125°C / 257°F (with fresh air intake)
<b>Speed limits:</b>	
	8000 RPM continuous
	9000 RPM intermittent
Coating	Corrosion-Resistant E-Coating
Weight	46 Lbs / 21 Kg.
Regulator	Integral
Excitation	Self-excite
Indicator Light	Yes
Remote Sense	Yes
Soft Start Delay (SSD)	Yes
Overvoltage Shut-Down (OSD)	Yes
Field Short Circuit Protection	Yes
Load Dump Protection	Yes

### ACCESSORIES:

90° Elbow Pkg. (360° Rotatable) # 46900-1800

### RECOMMENDED FOR:

- Utility Vehicles
- Marine
- Mining
- Industrial
- Construction



100-18206



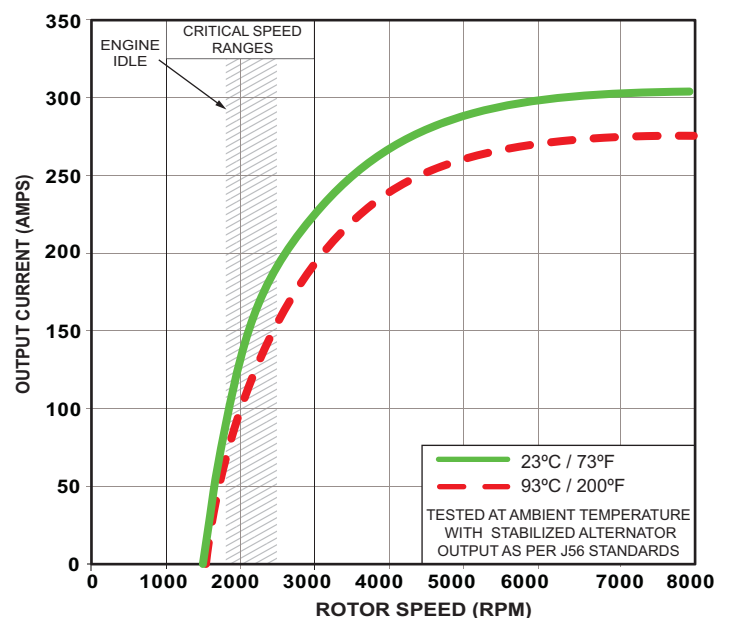
100-18206-D

with air intake cover & Optional 90° elbow

### NOTE:

*This DelStar 100-18206 alternator, meets the marine requirements for Ignition Protection on gas or diesel engines of ISO 8846, USCG, stated in Title 33 CFR 183.410, SAE J1171 and International CE Standards.*

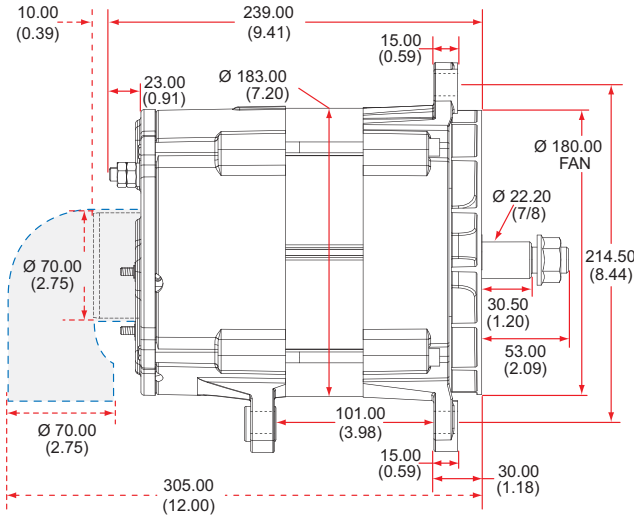
### PERFORMANCE CURVES



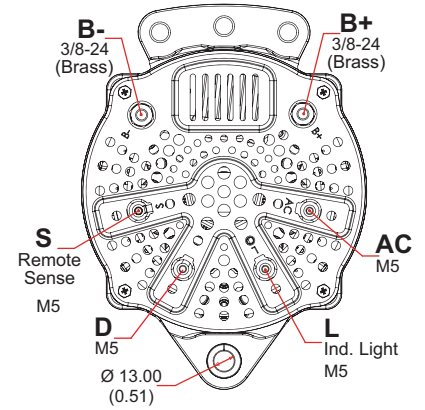
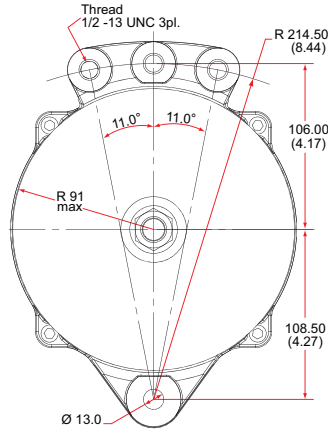
# DELSTAR

## HD BRUSHLESS | SERIES 180

### OUTLINE



### CONNECTIONS



Dimensions are listed in mm over (in)

## 100-18206

### 28 Volts 300 Amps

### ELECTRICAL SCHEMATIC

