

DELSTAR

HD BRUSHLESS / SERIES 180

28 Volts 250 Amps

PRODUCT SPECIFICATIONS

System Voltage	24V
Rated Output	250A
Output @ 2000 rpm	160A
Ground	Isolated
Mounting	T1-7" Left
Rotation	Bidirectional
Temperature limits:	
Low	- 40°C / -40°F
High	110°C / 230°F (with air precleaner)
High	125°C / 257°F (with fresh air intake hose)
Speed limits:	8000 RPM continuous 9000 RPM intermittent
Coating	Corrosion-Resistant E-Coated
Weight	51 Lbs / 23 Kg.
Regulator	Integral
Excitation	Self-Excite (@ < 1600 rpm)
Indicator Light	Yes
Remote Sense	Yes
Soft Start Delay (SSD)	Yes
Field Short Circuit Protection	Yes
Load Dump Protection	Yes
Overvoltage Shut-Down (OSD)	Yes

RECOMMENDED FOR:

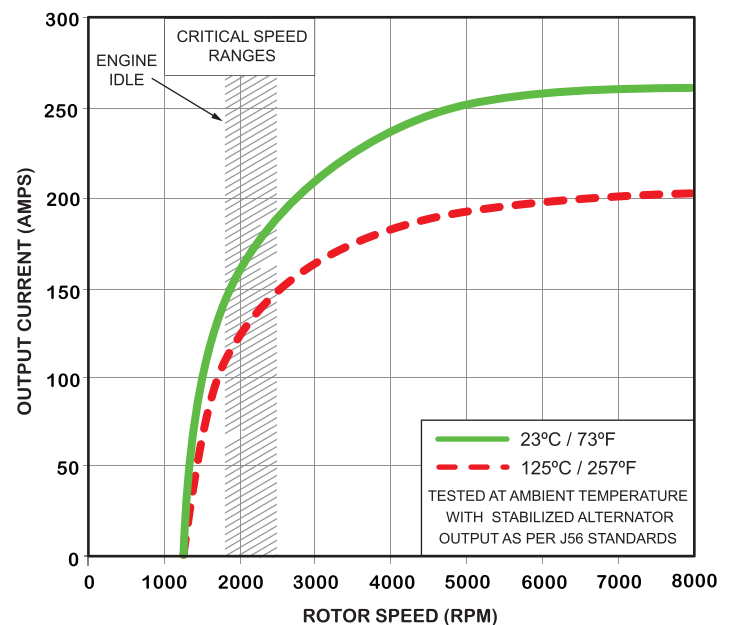
- Transit & Motor Coach Buses
- Agricultural & Forestry
- Industrial & Construction
- Marine
- Mining

NOTE:

This DelStar alternator, meets the marine requirements for Ignition Protection on gas or diesel engines of ISO 8846, USCG, stated in Title 33 CFR 183.410 SAE J1171 and inter-national CE Standards.



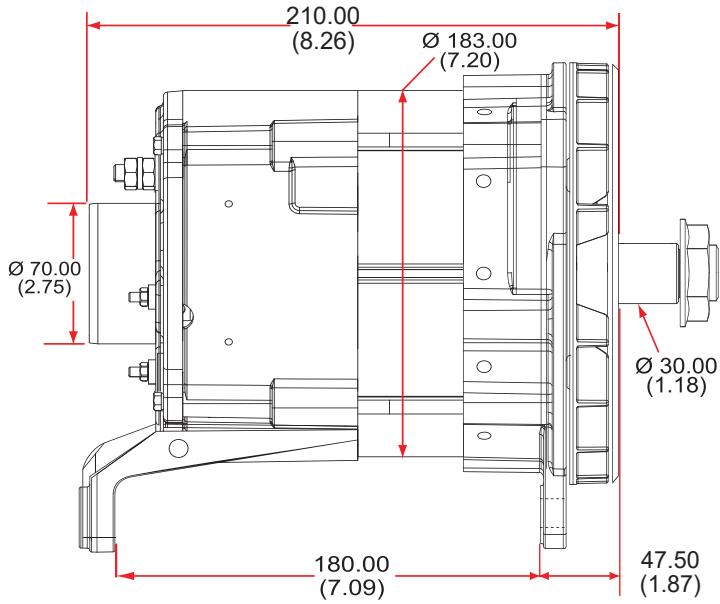
PERFORMANCE CURVES



DELSTAR

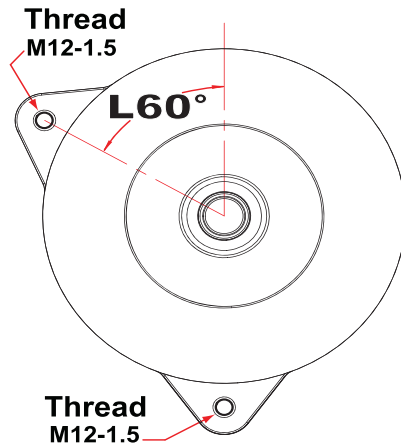
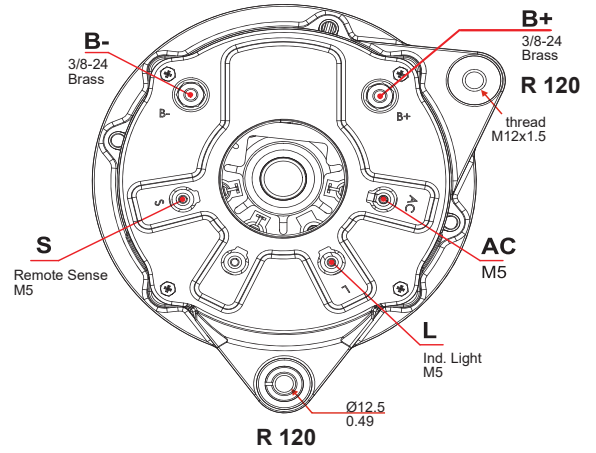
HD BRUSHLESS / SERIES 180

OUTLINE



Dimensions are listed in mm over (in)

CONNECTIONS



Typical Bosch T1 120-140Amp

