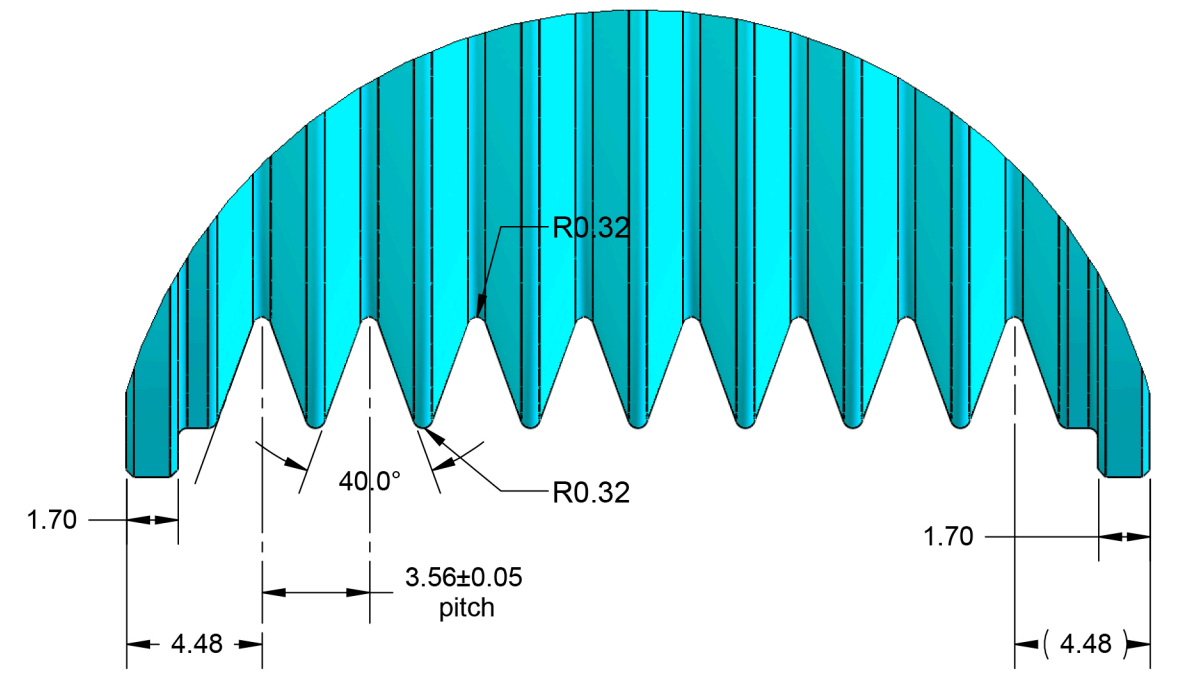
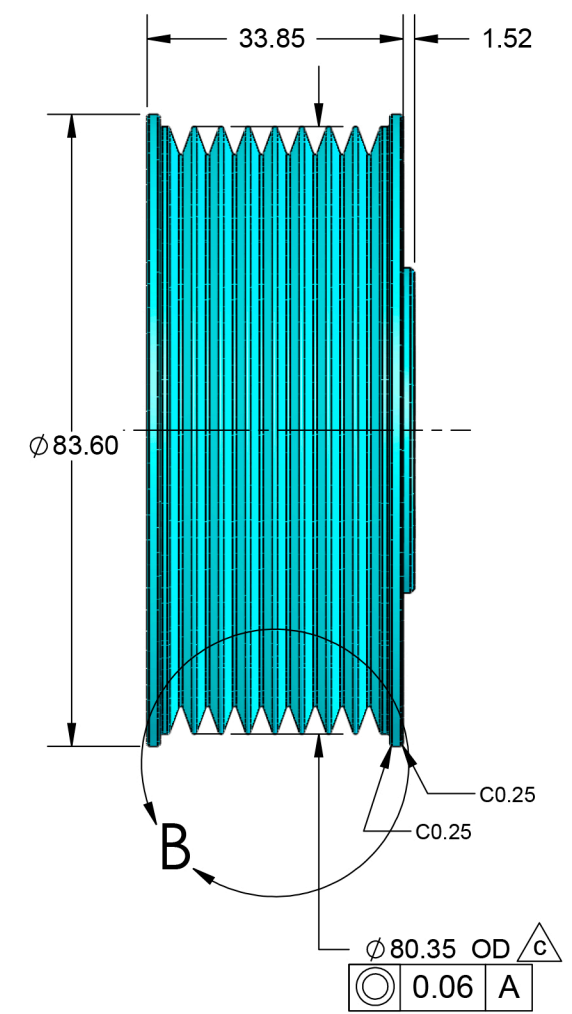
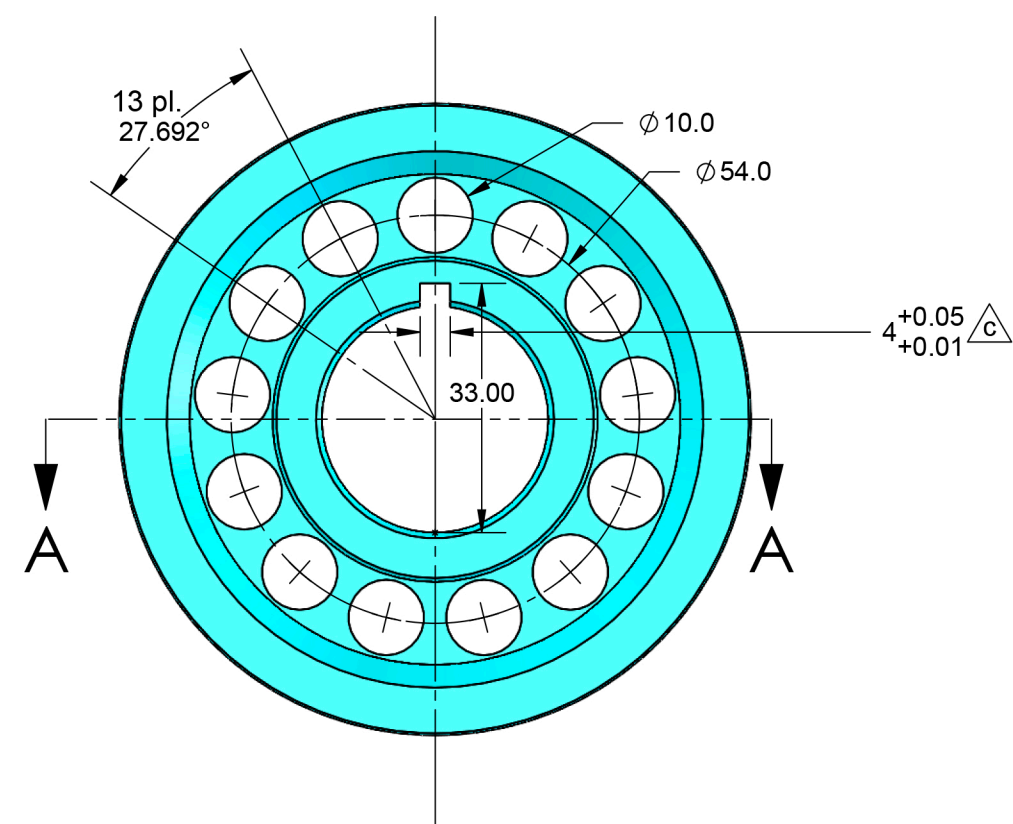
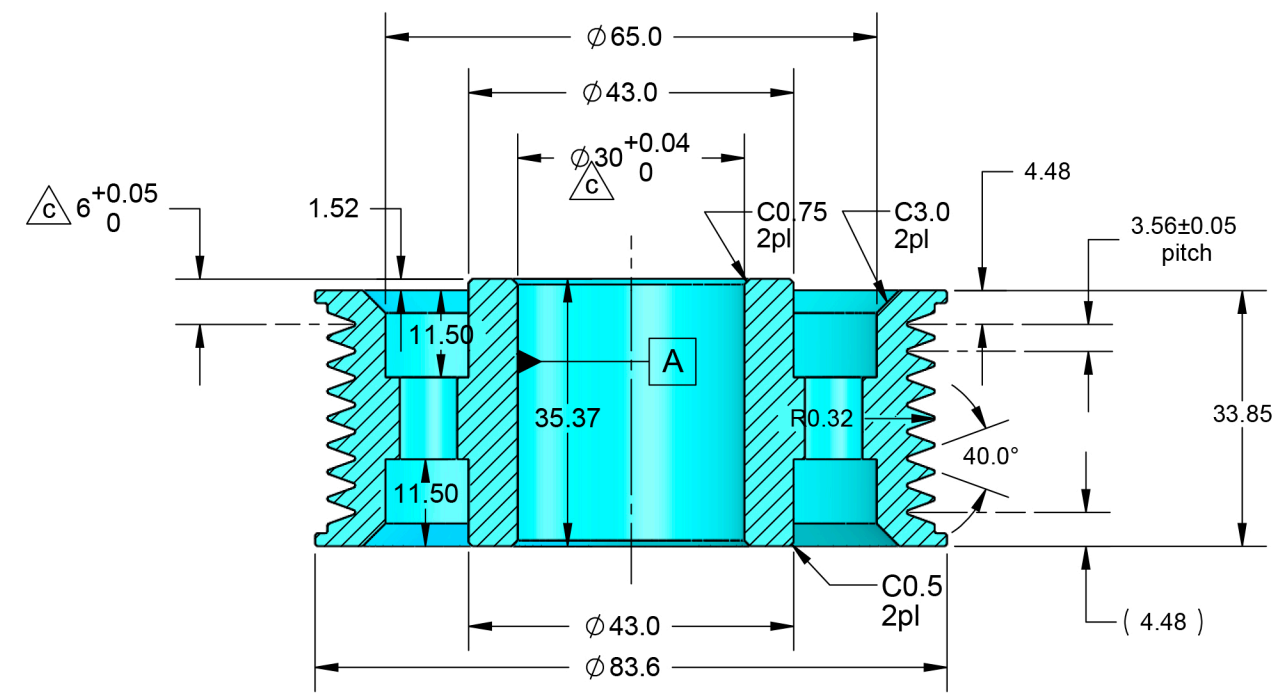


NO.	REVISION	DATE	IN'L



DETAIL B  
SCALE 4 : 1



SECTION A-A

NOTES:  
 -8 groove pulley, PK profile, OD 80.35 mm.  
 -Material 1010 AISI steel, zinc plated with silver chromate finish.  
 -Surface finish 1.6 micrometer.

UNLESS OTHERWISE SPECIFIED  
 ALL DIM. ARE IN MM  
 DO NOT SCALE.  
 FLAT IS FOR REFERENCE ONLY.  
 TOLERANCES: .XX ± .10  
 .X ± 0.2  
 X ± 0.5  
 HOLES:  
 FRACT.  
 ANGLES ± .5 °  
 THIS SYMBOL REPRESENTS  
 A CONTROL DIMENSION.  
 CONTROL DIMENSIONS ARE CONSIDERED  
 TO BE A GOOD INDICATOR OF WHETHER  
 A MANUFACTURING PROCESS IS IN  
 CONTROL. THESE DIM. MUST HAVE A  
 MIN Cpk OF 1.33 FOR A SAMPLE  
 OF 31 CONSECUTIVE PIECES.

MATERIAL		TITLE	
FINISH		Pulley - 8 groove OD 80.3 mm (Neihoff C706)	
WHERE USED		DWG NO. 2400-2583	SHEET 10F1
DR BY	bi	jan 24 2017	SIZE B
CHK'D	bi	jan 24 2017	
SCALE		DATE	

This drawing, and the design of the article represented herein, are the exclusive property of Dixie Electric Limited and are provided strictly on a confidential basis. The drawing and design shall be used only for the purposes for which they have been provided and shall not be produced, reproduced, altered, used, published or disclosed to others without the prior written consent of Dixie Electric Limited.